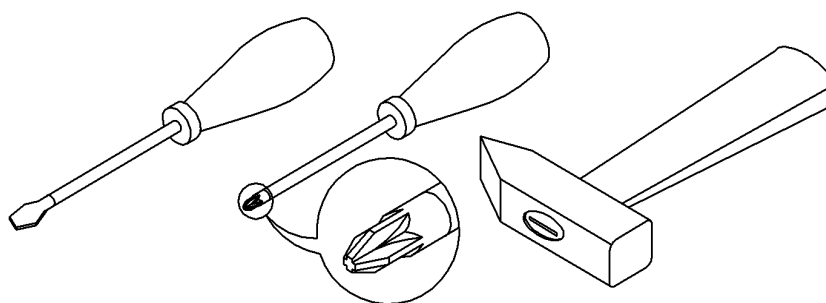
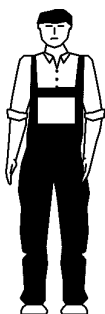
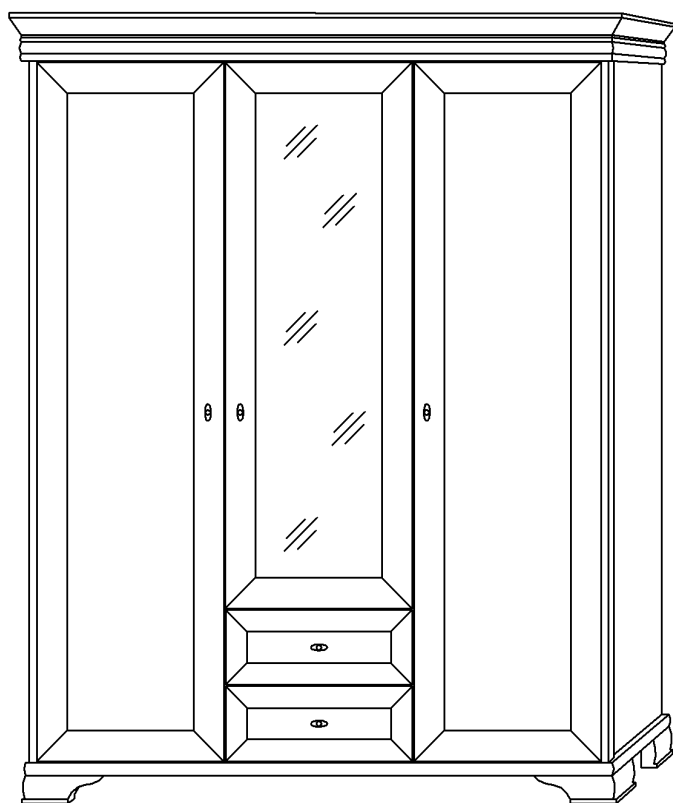


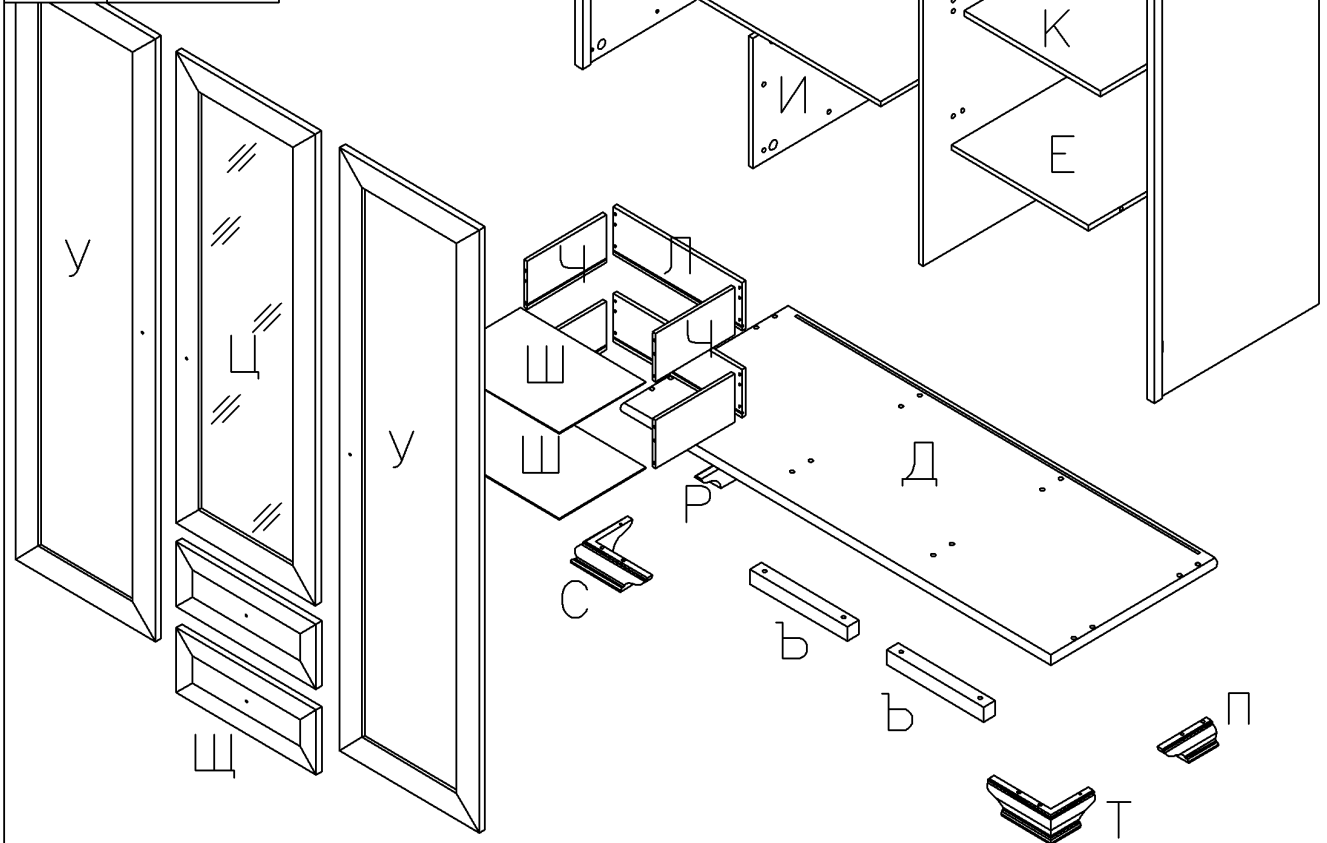
ARS183




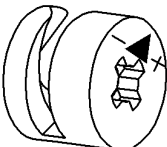
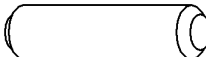

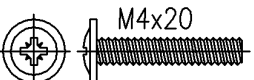

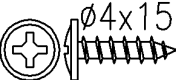

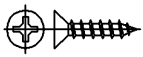
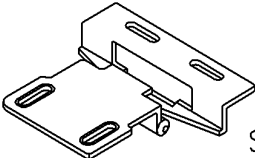
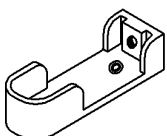



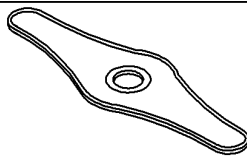
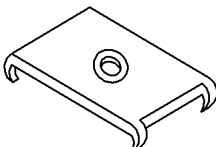
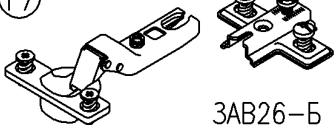
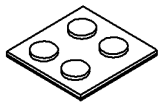
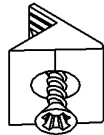
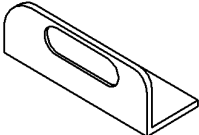
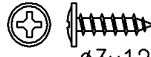
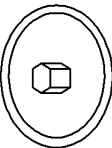
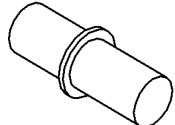
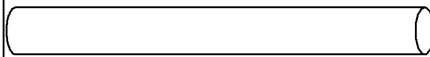
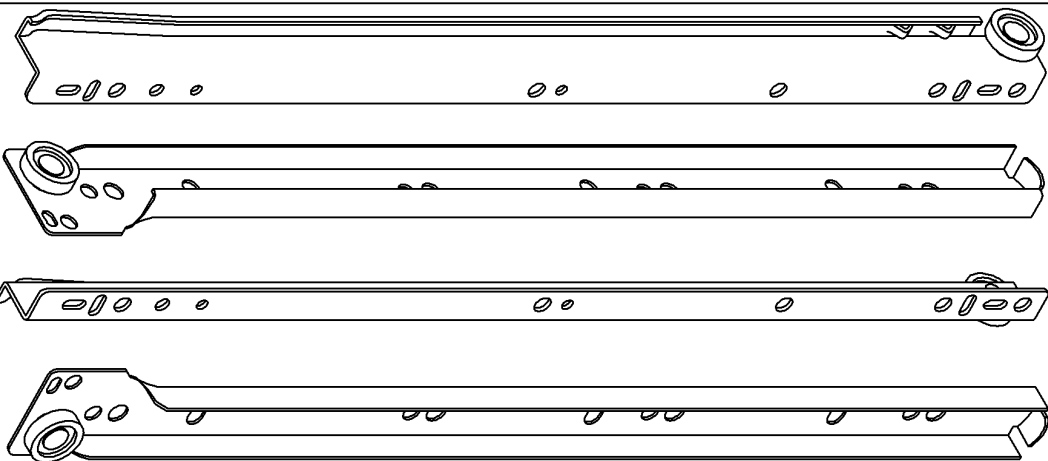
ARS183

ARS183

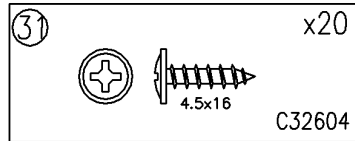
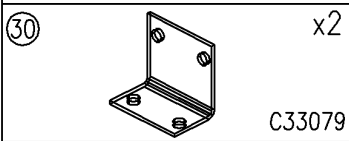
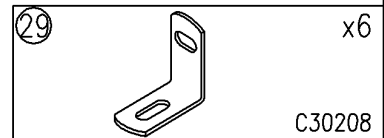
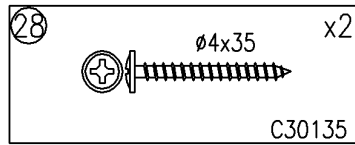
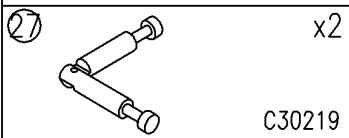
A	110086
Б	110087
В	110088
Г	310022
Д	310012
Е	310023
Ж x	2010024
З	310011
И	110025
К x3	410007
Л x2	510051
М	510046
Н	510047
О	510049
П	510006
Р	510005
С	510012
Т	510010
У x2	610021
Ф	010025
Х	S36595
Ц	610022
Ч x4	510050
Ш x2	90045
Щ x2	70054
Ъ x2	510019



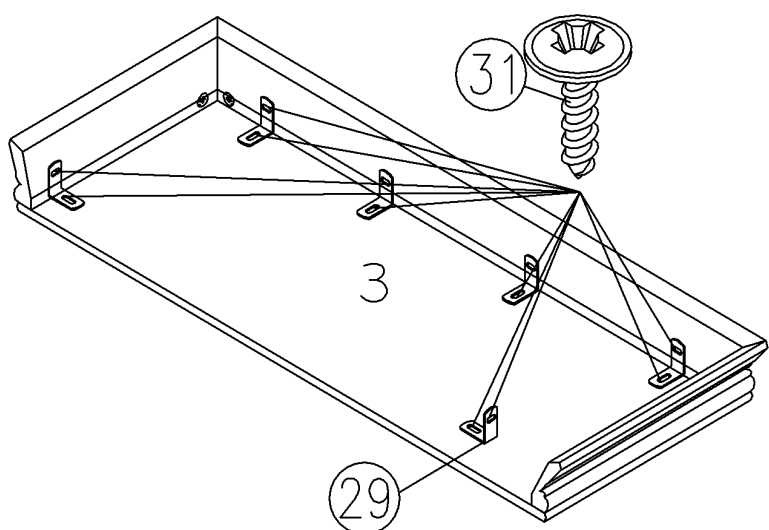
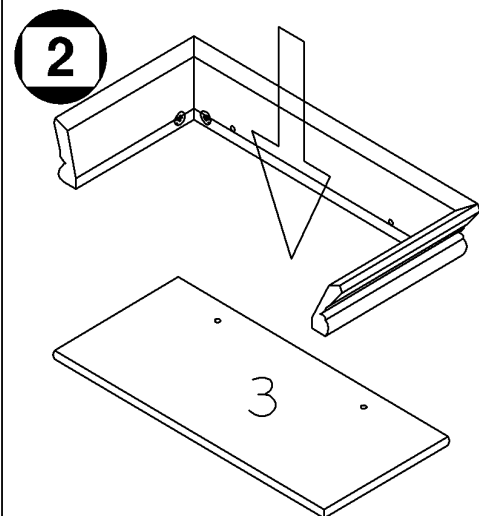
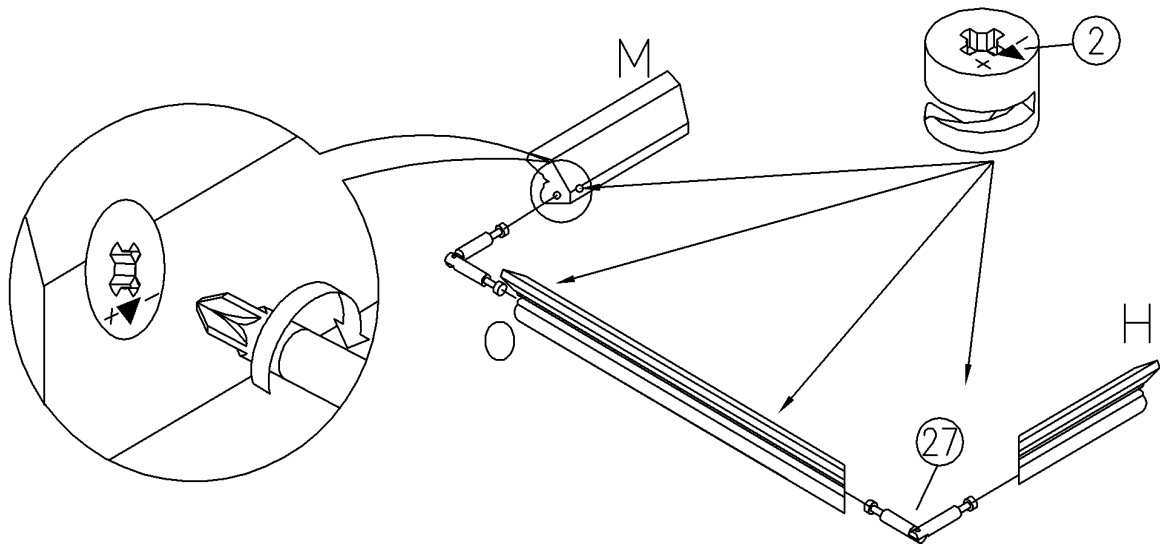
ARS183

①	 x24 S31920	②	 x28 S30212	③	 x60 S70969
④	 x16 S31411	⑤	 x2 S30165	⑥	 x3 S32347
⑦	 x24 S31298	⑧	 x12 S30102	⑨	 x12 S30113
⑩	 x6 S32282	⑪	 x2 S30383	⑫	 x5 S32306
⑬	 x1 S20553	⑭	 x2 S30143	⑮	 x5 S32307
⑯	 x10 S30312	⑰	 x3 3AB26-B ⑳	⑱	 x4 S30530
⑲	 x4 S30978	㉔	 x1 S30307	㉕	 x2 S30158
㉖	 x10 S32384	㉗	 x12 S30337	㉘	 x1 SR30008
㉙				x2	S32407

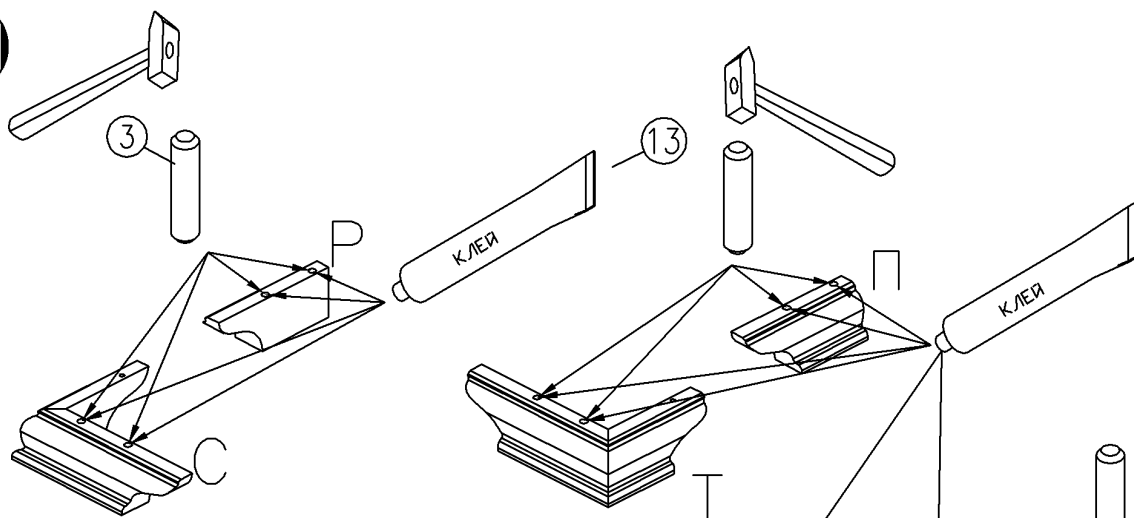
ARS183



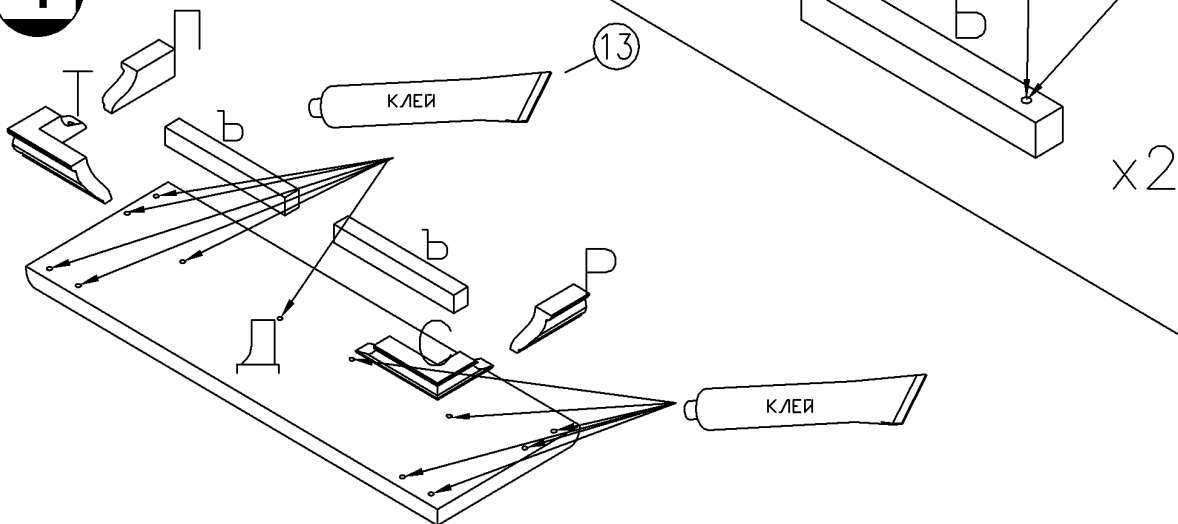
1



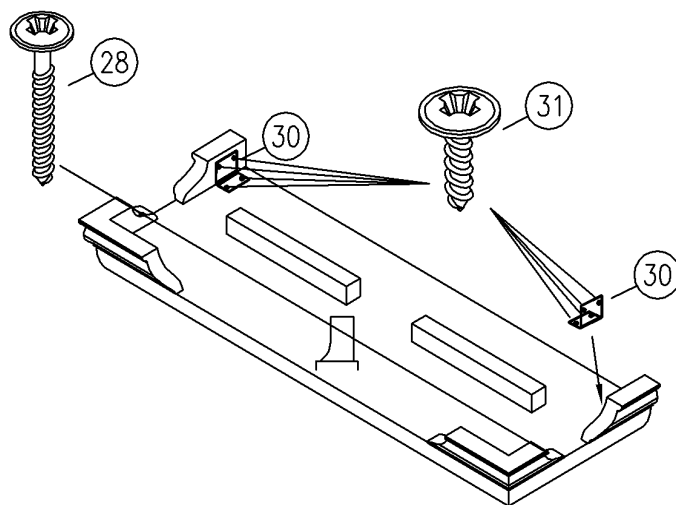
3

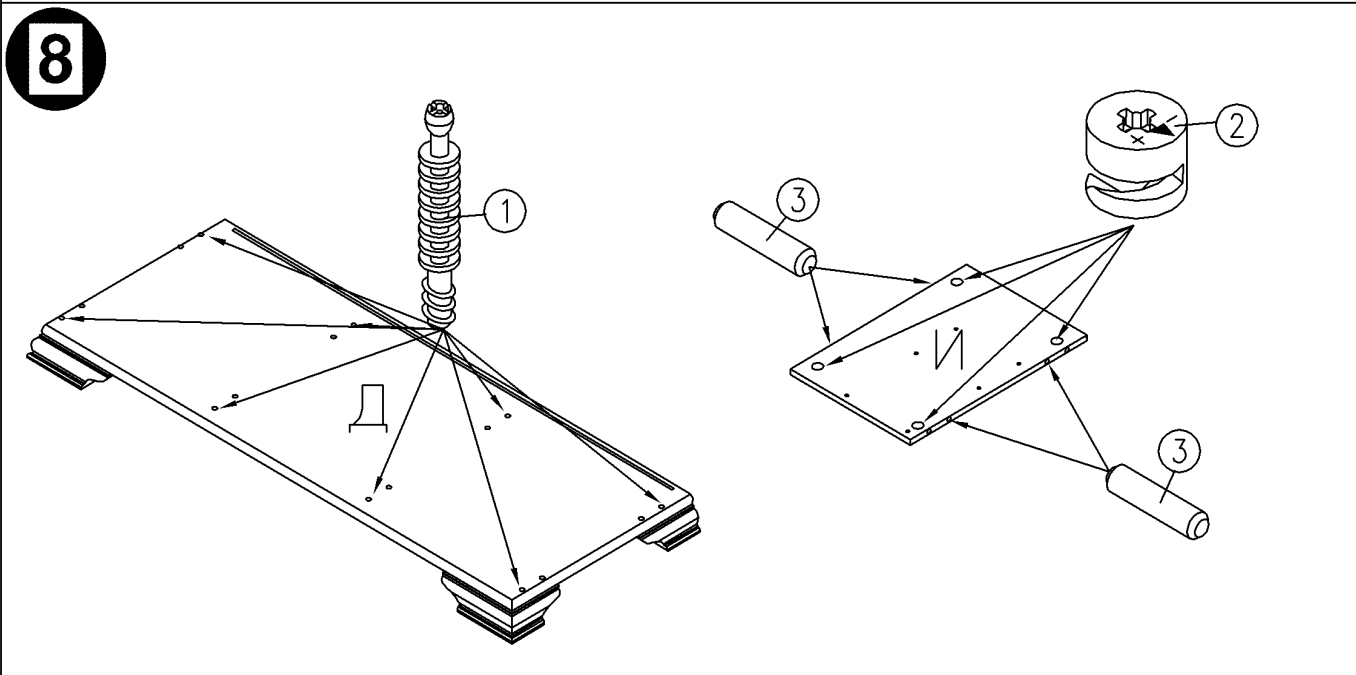
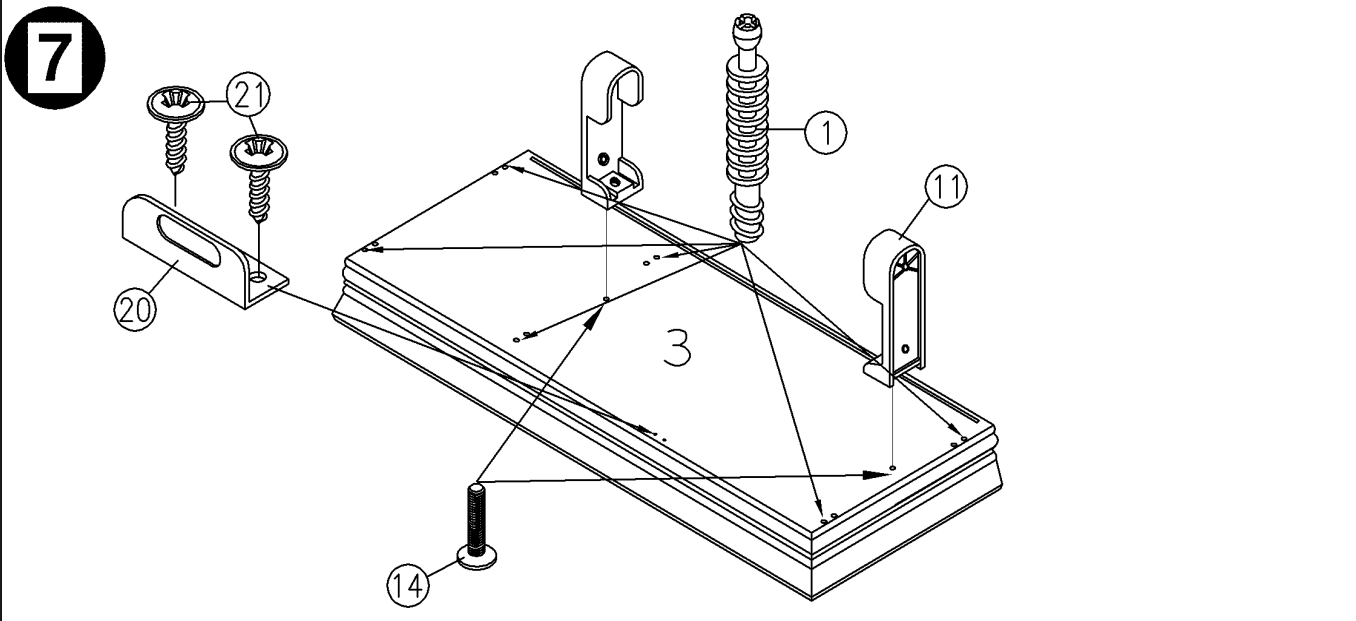
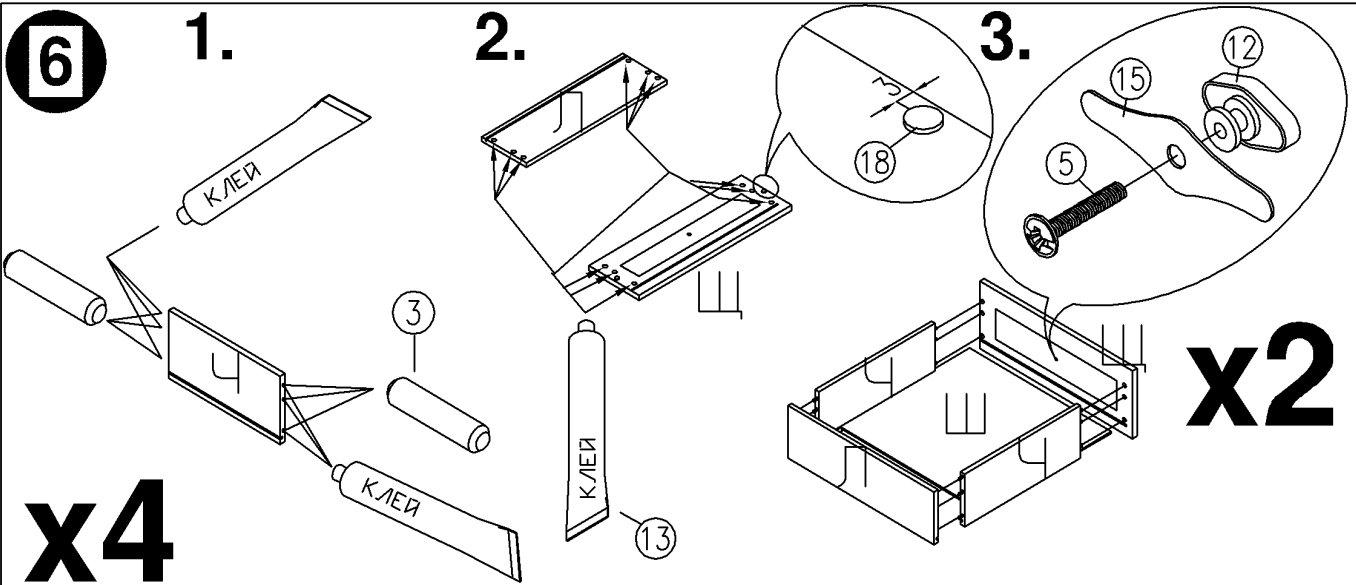


4

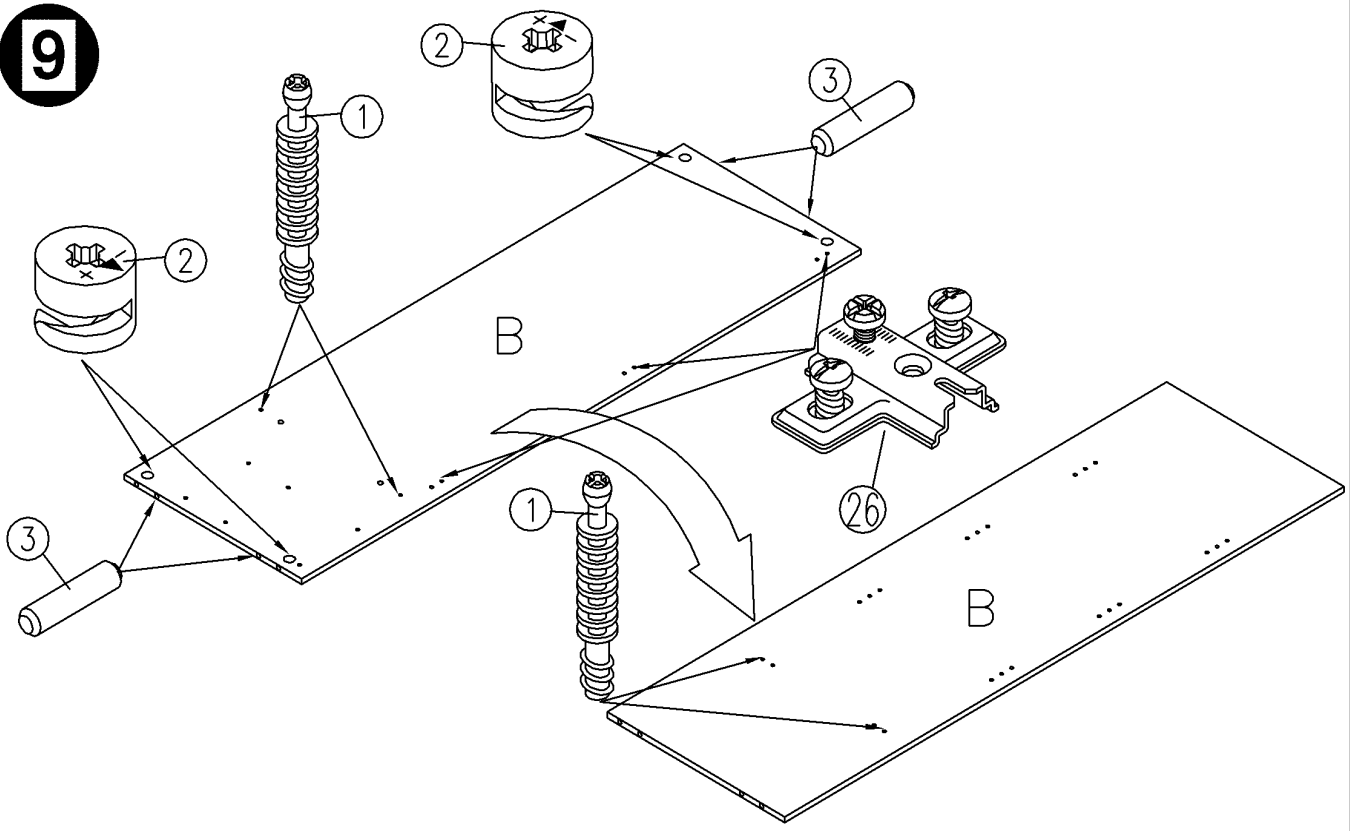


5

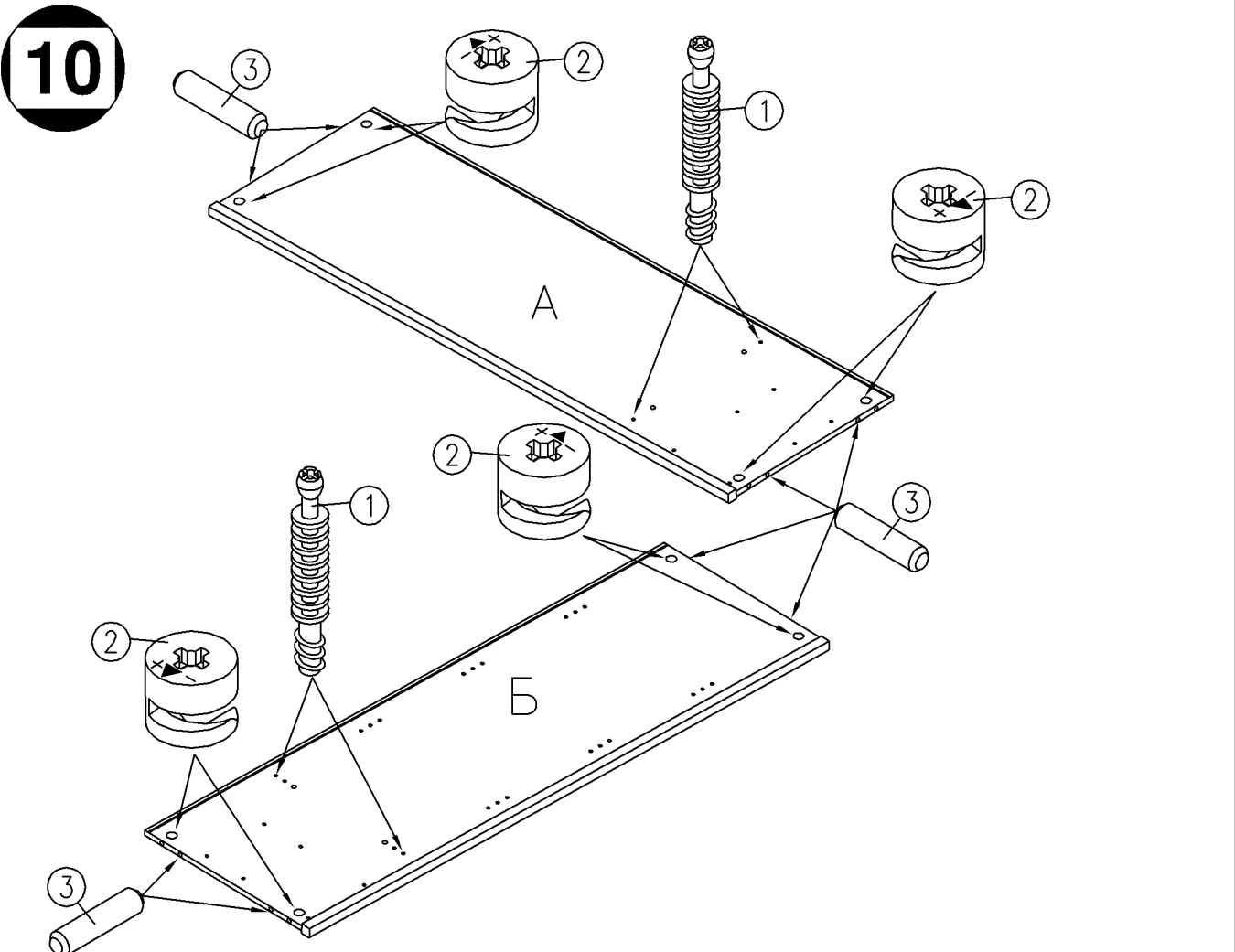




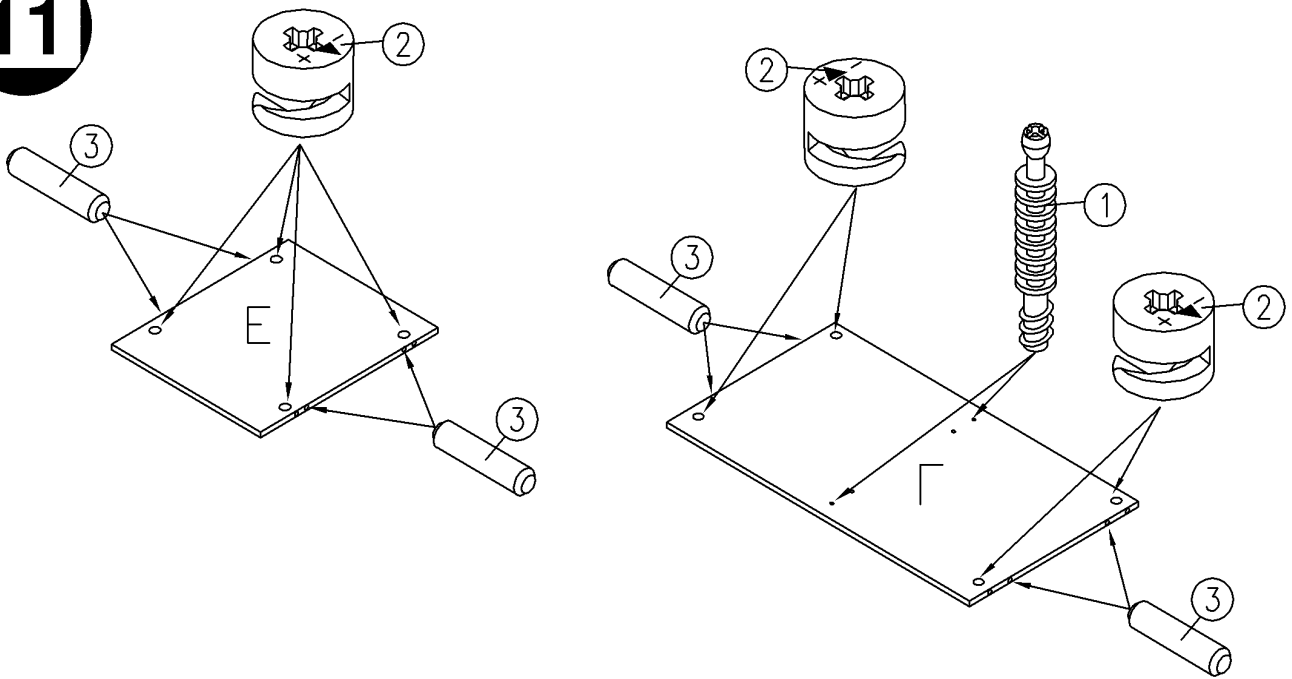
9



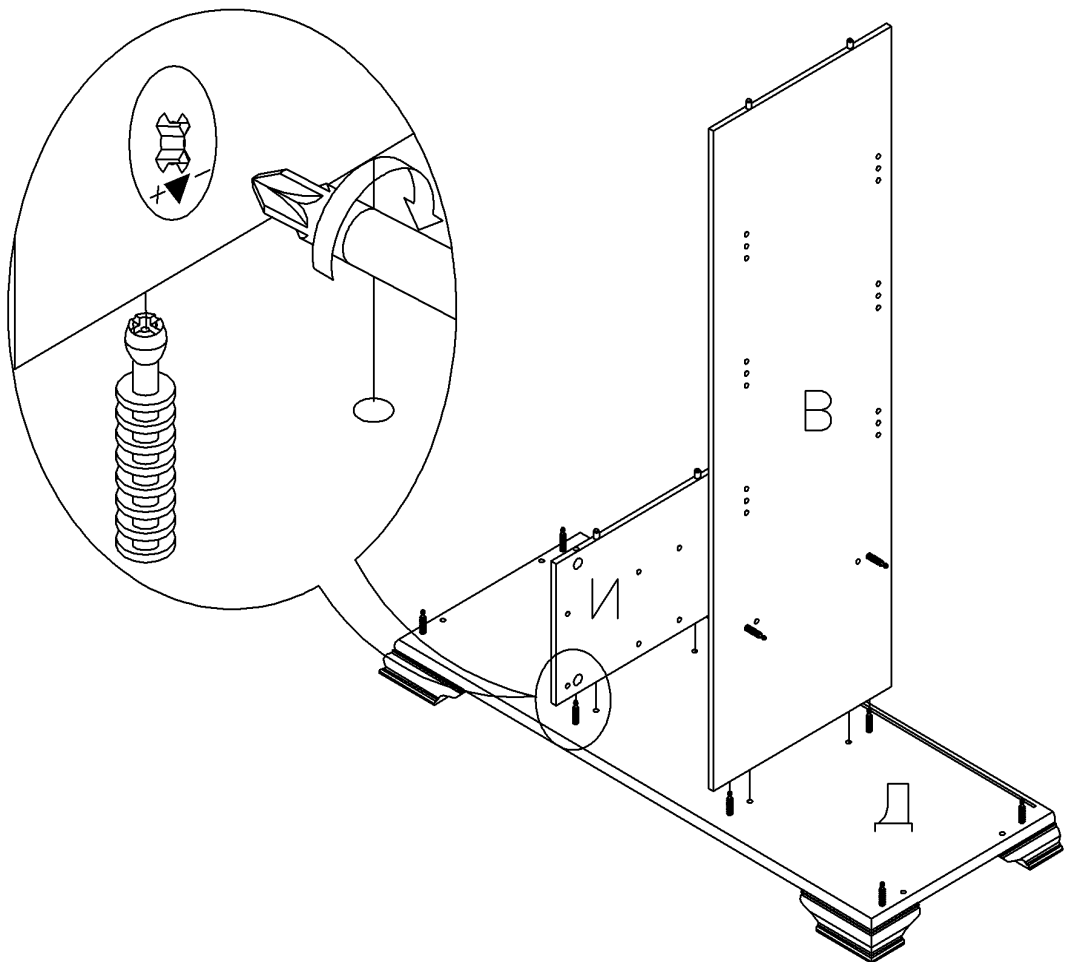
10



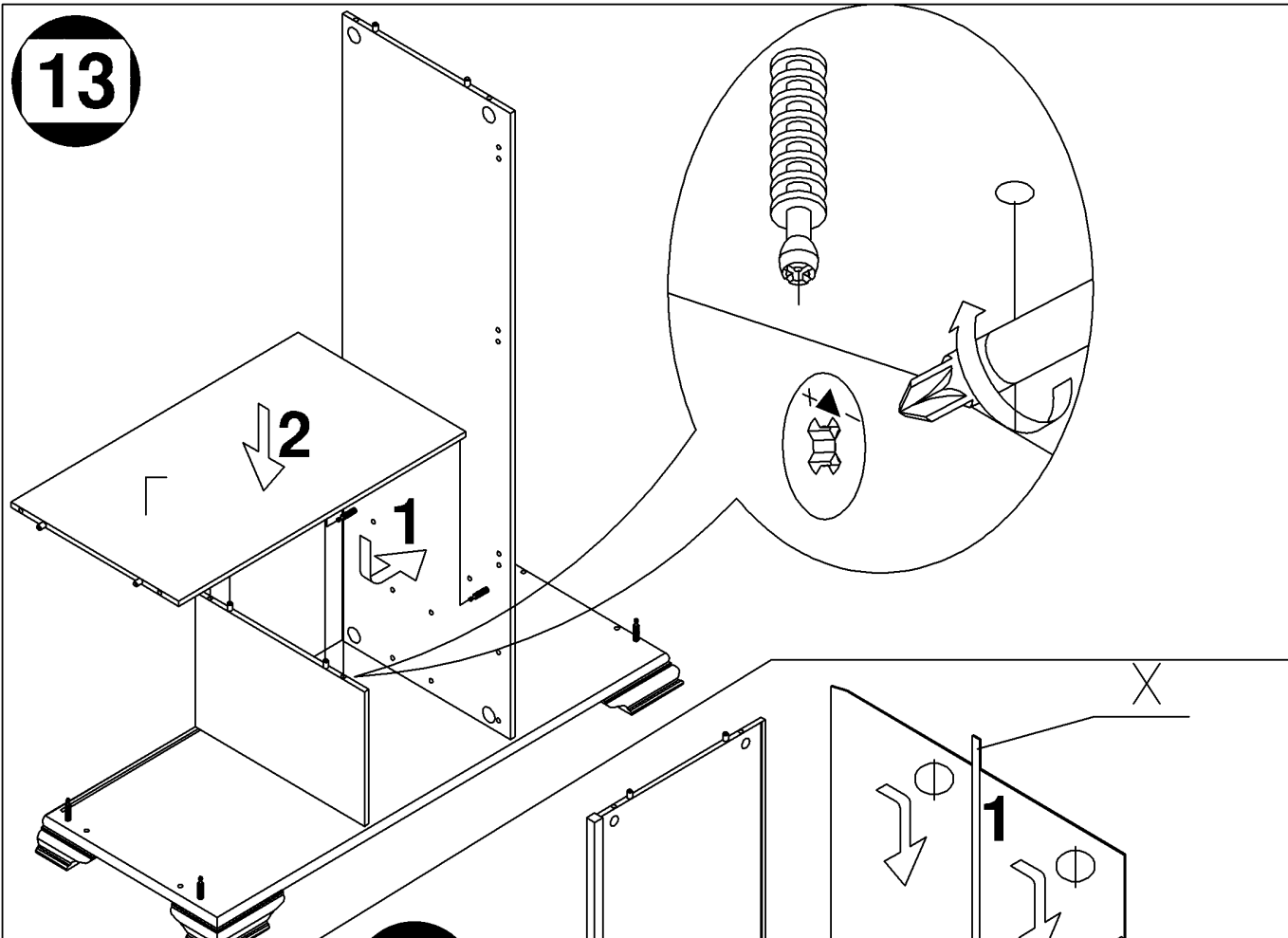
11



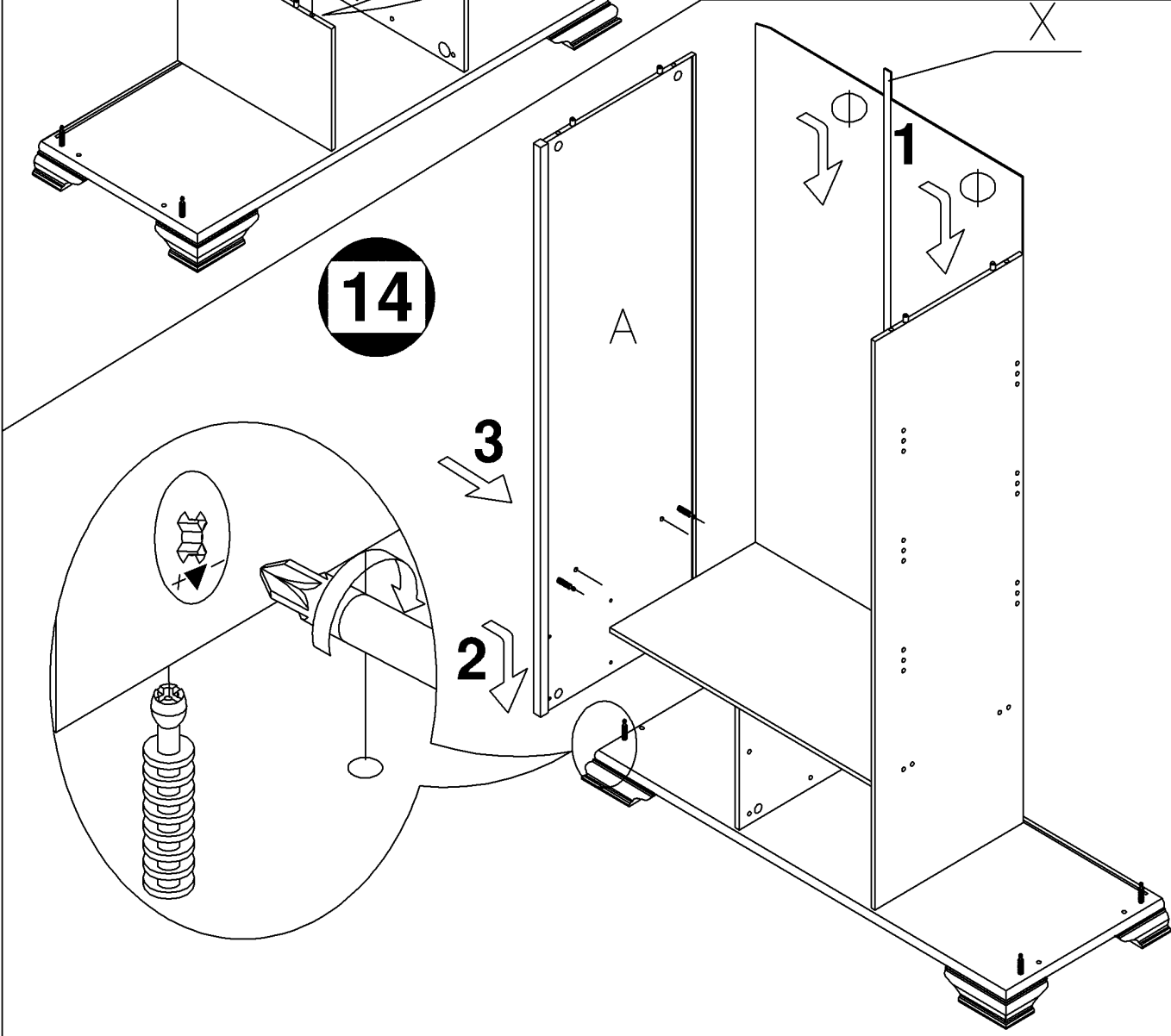
12

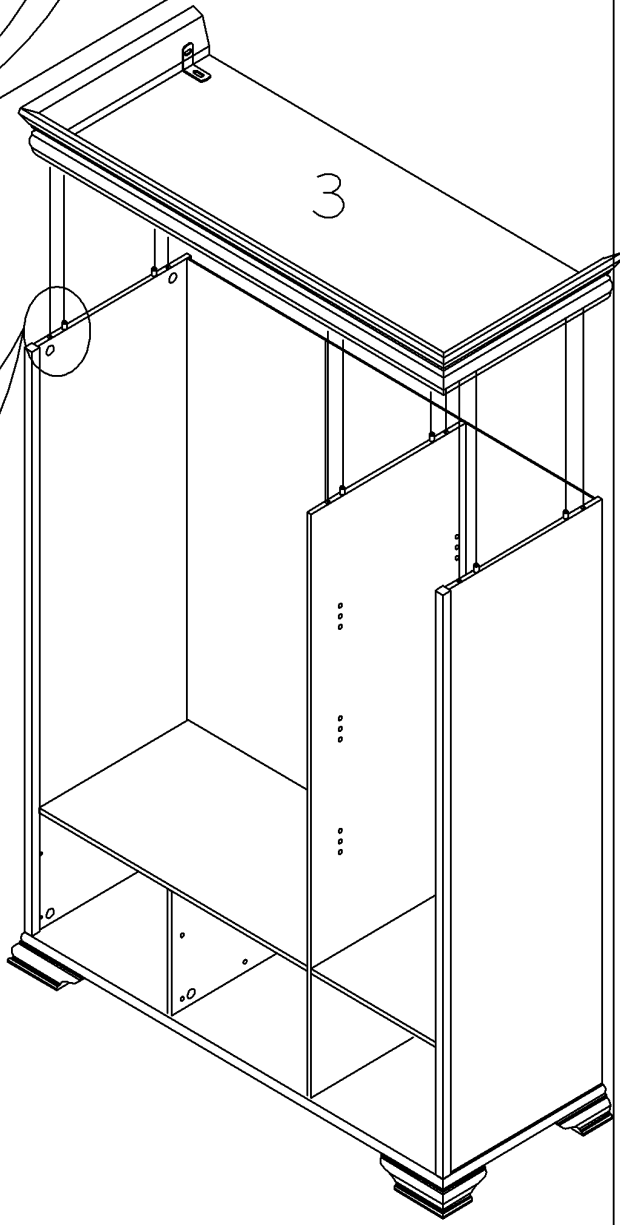
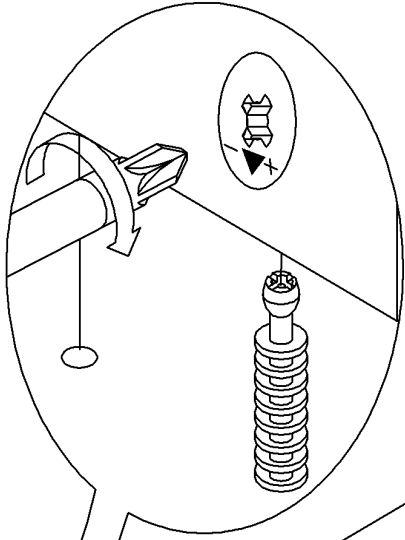
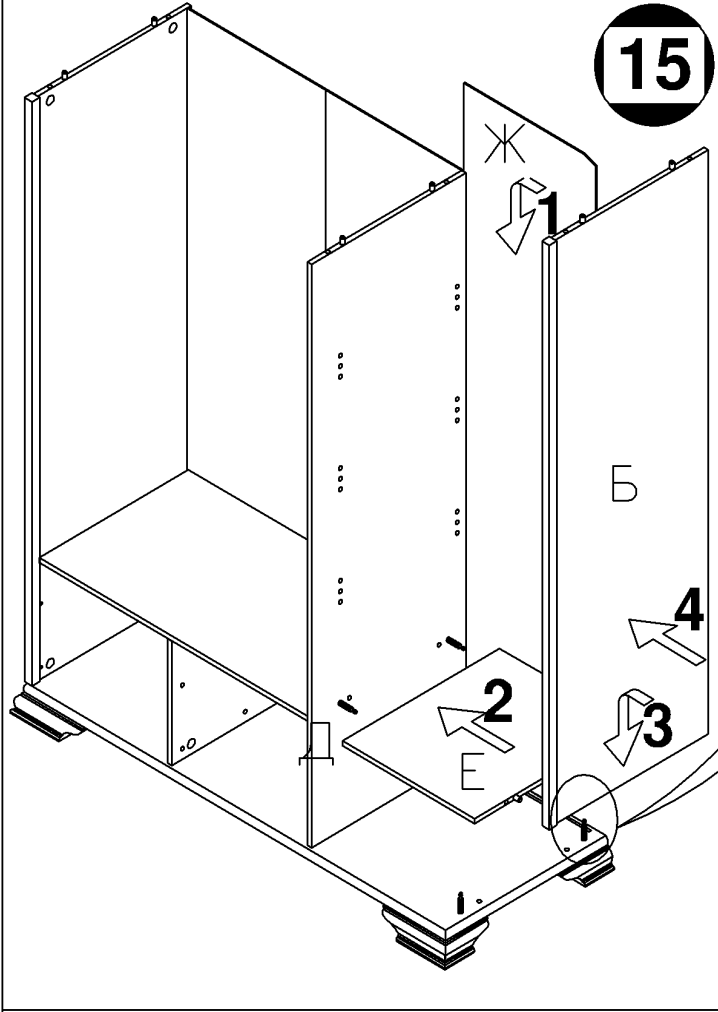


13

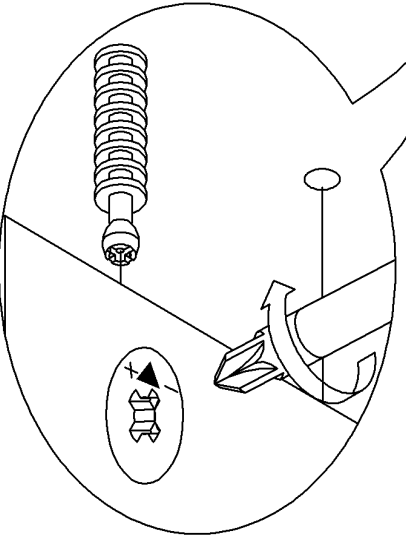


14

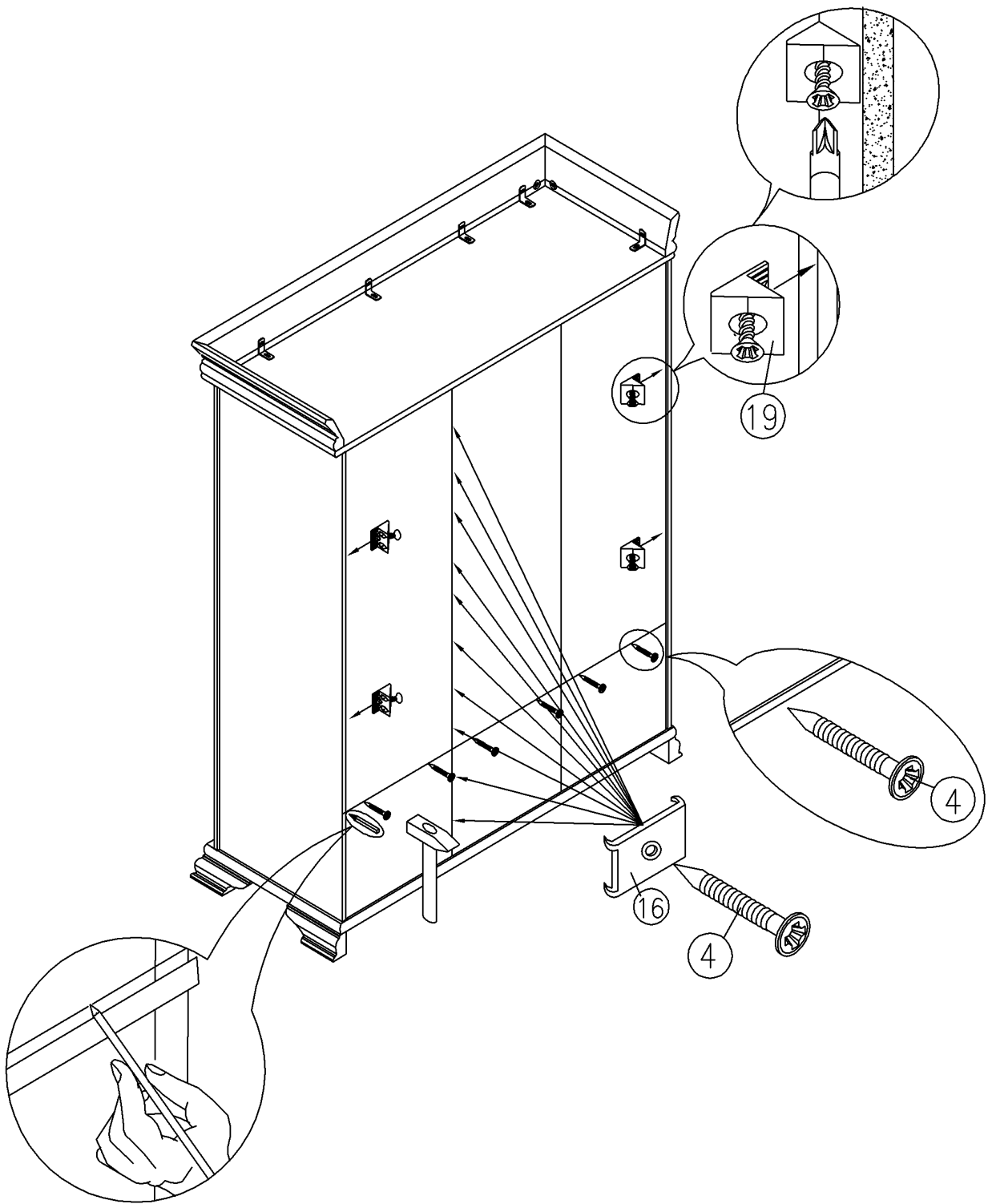




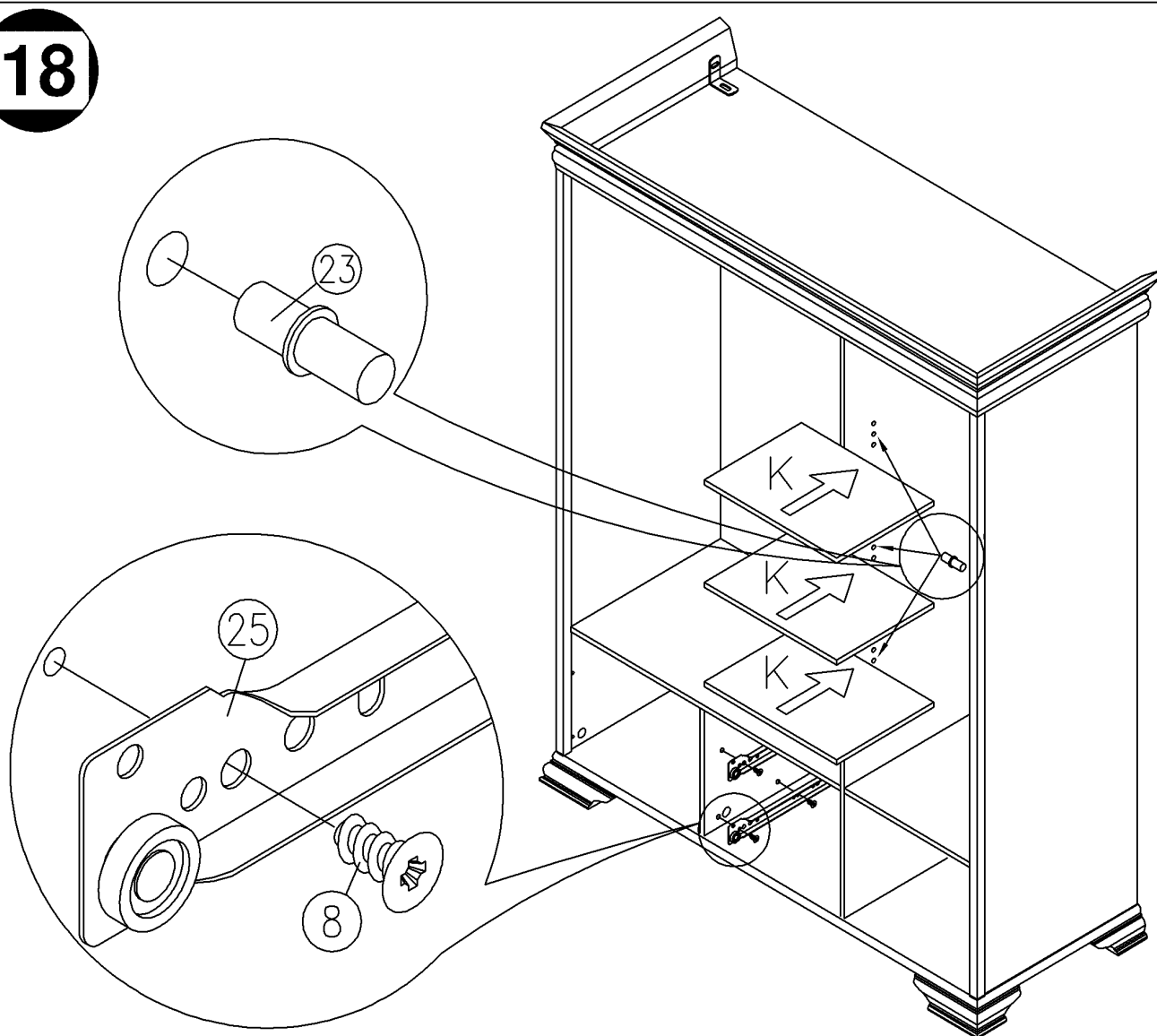
16



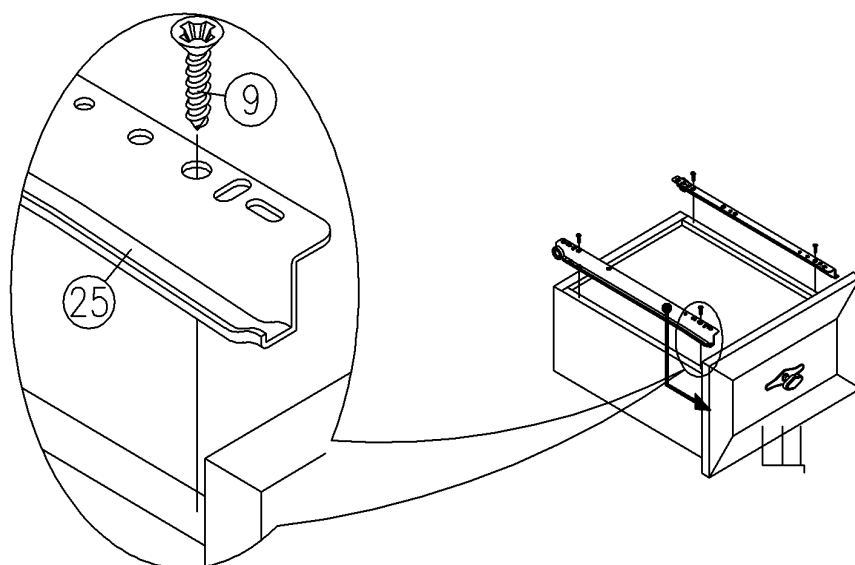
17



18

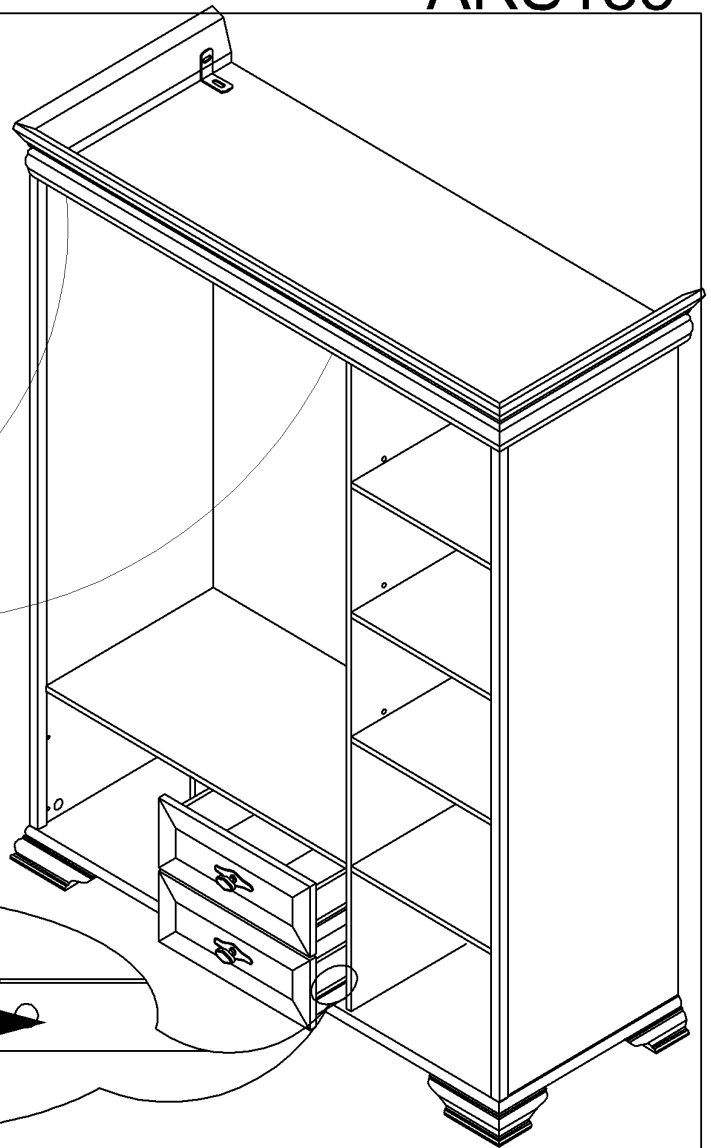
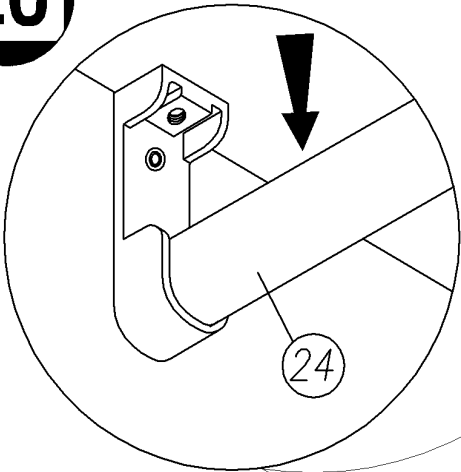


19

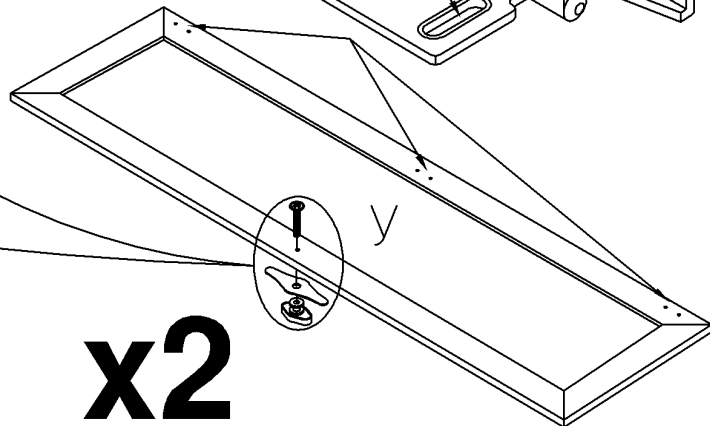
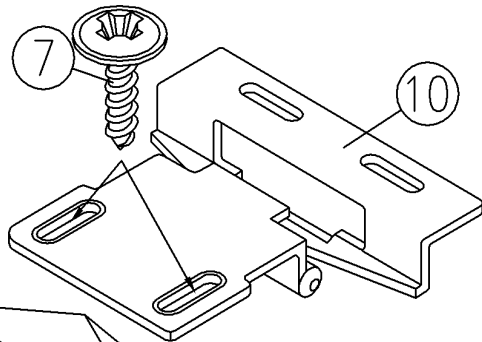
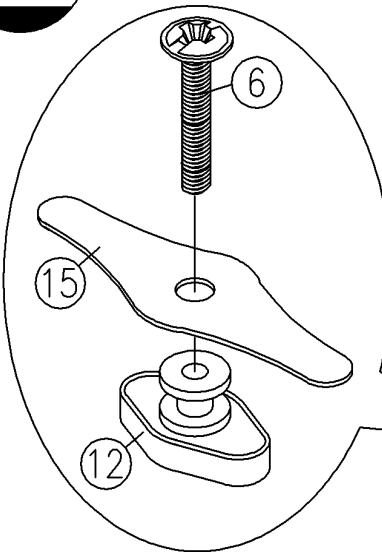


x2

20

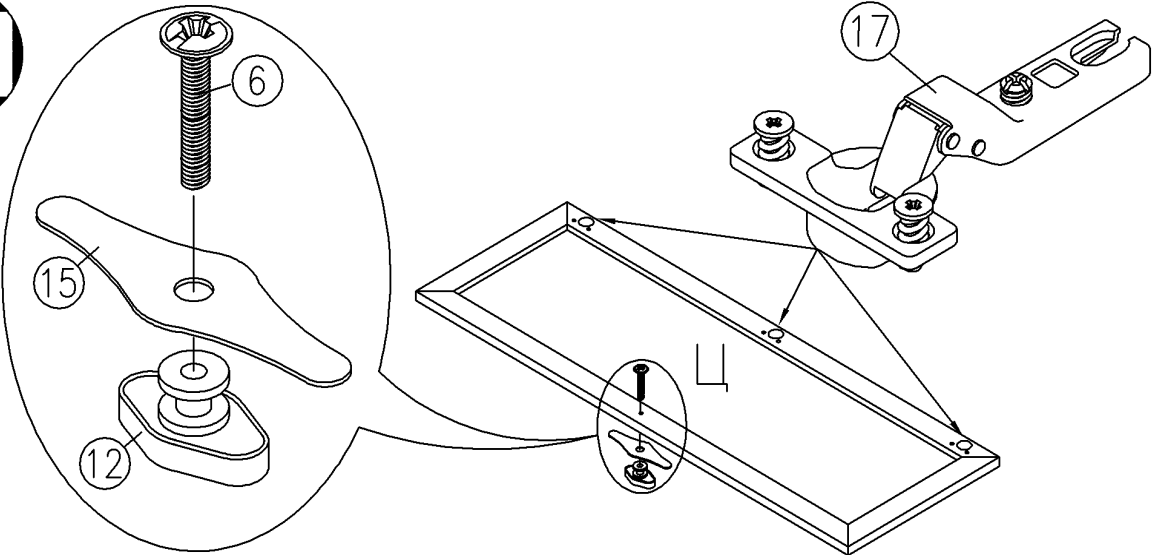


21

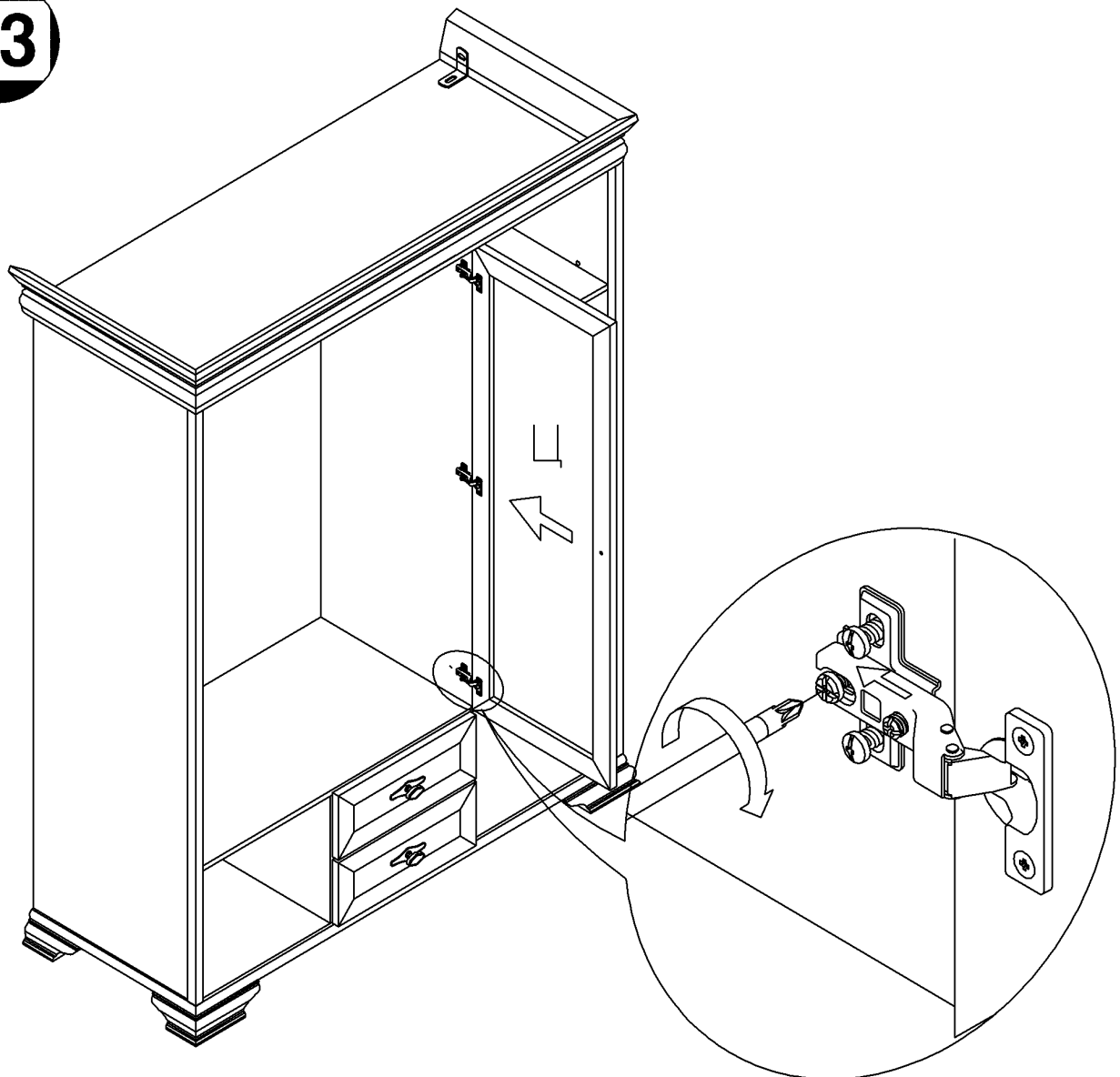


x2

22



23



24

