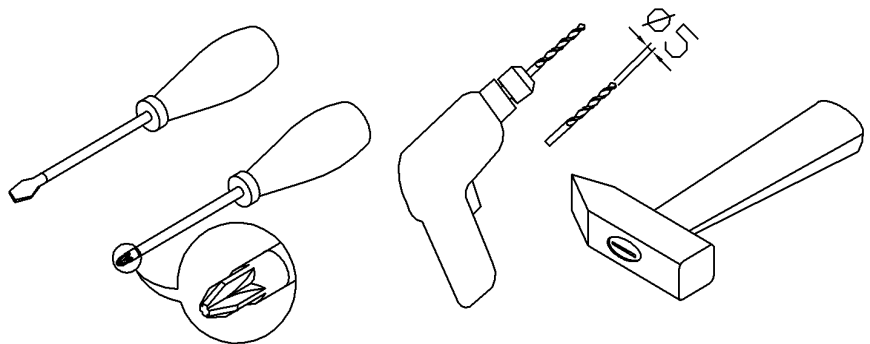
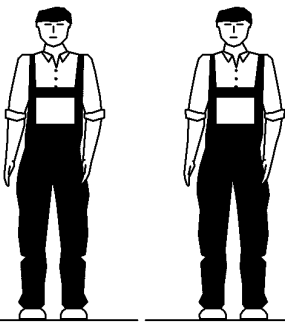
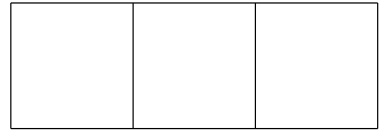


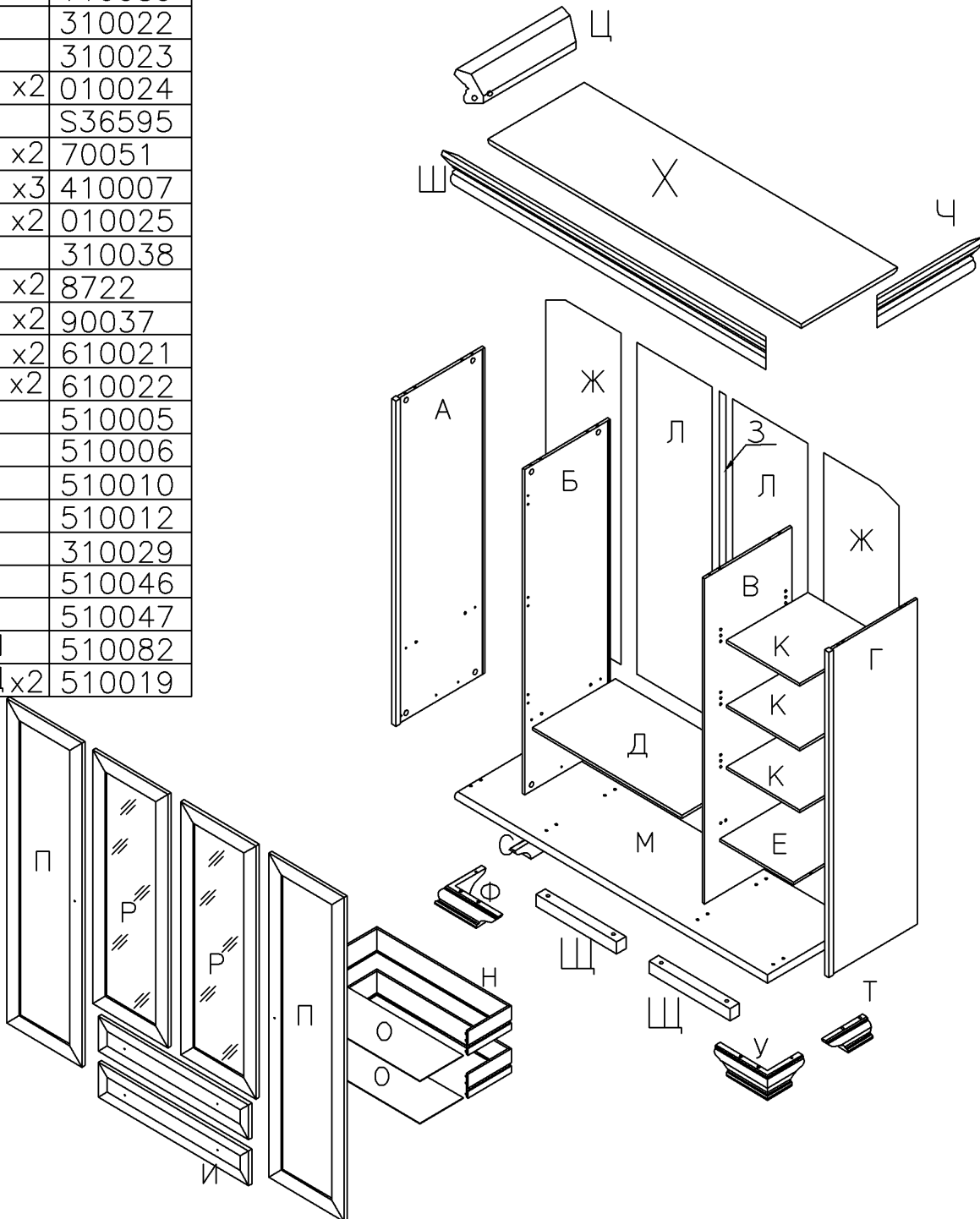
ARS184




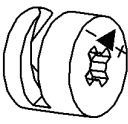
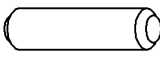
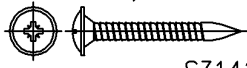
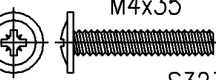

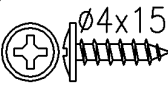
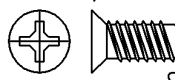
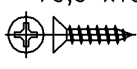
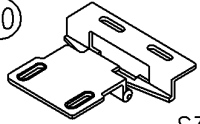
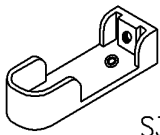

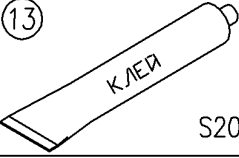
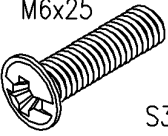

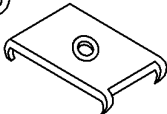
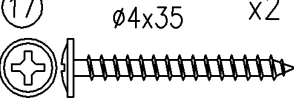
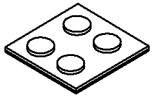
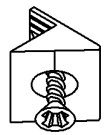
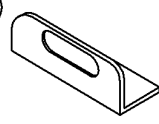
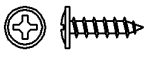
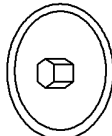
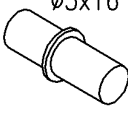
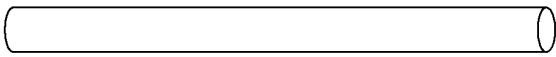
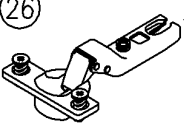
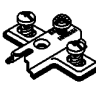
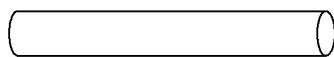
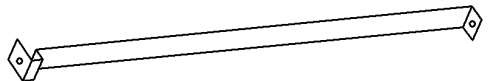
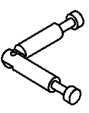
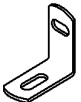
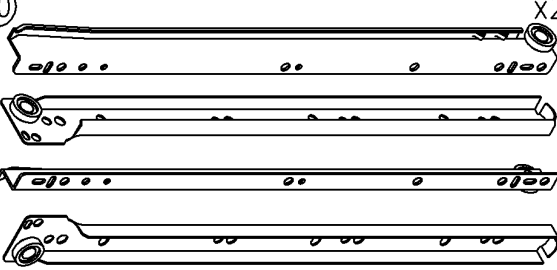
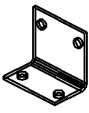
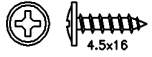
ARS184

ARS184

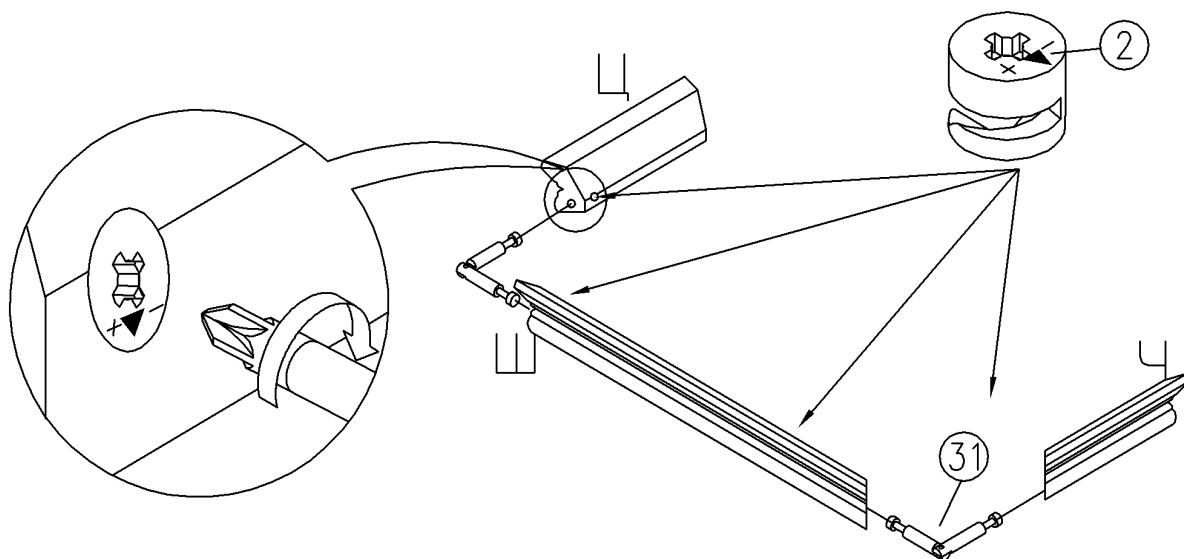
| | |
|------|--------|
| A | 110086 |
| Г | 110087 |
| В | 110088 |
| Б | 110089 |
| Д | 310022 |
| Е | 310023 |
| Ж x2 | 010024 |
| З | S36595 |
| И x2 | 70051 |
| К x3 | 410007 |
| Л x2 | 010025 |
| М | 310038 |
| Н x2 | 8722 |
| О x2 | 90037 |
| П x2 | 610021 |
| Р x2 | 610022 |
| С | 510005 |
| Т | 510006 |
| У | 510010 |
| Ф | 510012 |
| Х | 310029 |
| Ц | 510046 |
| Ч | 510047 |
| Ш | 510082 |
| Щ x2 | 510019 |



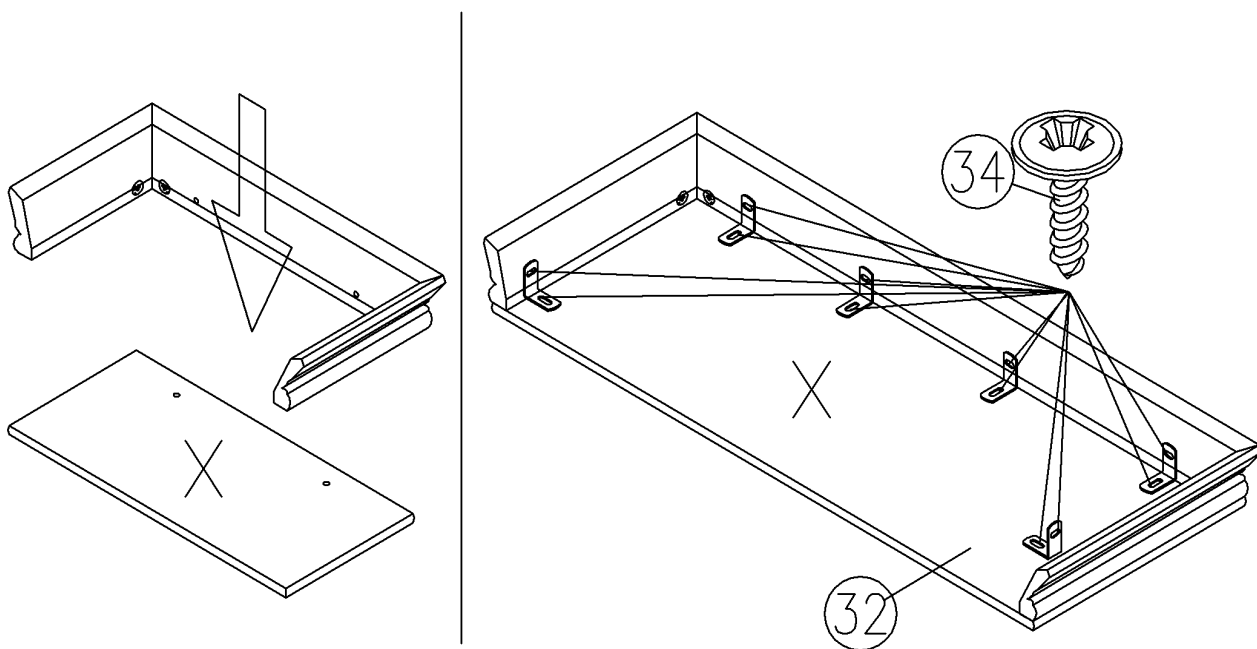
ARS184

| | | | |
|--|--|--|--|
| <p>① x24 S31920</p>  | <p>② x28 S30212</p>  | <p>③ $\varnothing 8 \times 30$ x36 S70969</p>  | <p>④ $\varnothing 2,5 \times 22$ x28 S31411</p>  |
| <p>⑤ M4x35 x4 S32347</p>  | <p>⑥ M4x20 x4 S30165</p>  | <p>⑦ $\varnothing 4 \times 15$ x24 S31298</p>  | <p>⑧ $\varnothing 6,3 \times 13$ x12 S30102</p>  |
| <p>⑨ $\varnothing 3,5 \times 13$ x16 S30113</p>  | <p>⑩ x6 S32282</p>  | <p>⑪ x4 S30383</p>  | <p>⑫ x8 S32306</p>  |
| <p>⑬ x1 S20553</p>  | <p>⑭ M6x25 x4 S30143</p>  | <p>⑮ x8 S32307</p>  | <p>⑯ x20 S30312</p>  |
| <p>⑰ $\varnothing 4 \times 35$ x2 S30135</p>  | <p>⑱ x1 S30530</p>  | <p>⑲ x6 S30978</p>  | <p>⑳ x1 S30307</p>  |
| <p>㉑ $\varnothing 3 \times 12$ x6 S30158</p>  | <p>㉒ x12 S32384</p>  | <p>㉓ $\varnothing 5 \times 16$ x12 S30337</p>  | |
| <p>㉔ L=941mm x1 SR30008</p>  | <p>㉖ x6 3AB26-Б</p>  | <p>㉗ x6</p>  | |
| <p>㉘ L=456mm x1 SR30009</p>  | <p>㉙ x2 S30218</p>  | | |
| <p>㉚ x2 S30219</p>  | <p>㉛ x6 S30208</p>  | <p>㉜ x2 S32407</p>  | |
| <p>㉝ x2 S33079</p>  | <p>㉞ x20 S32604</p>  | | |

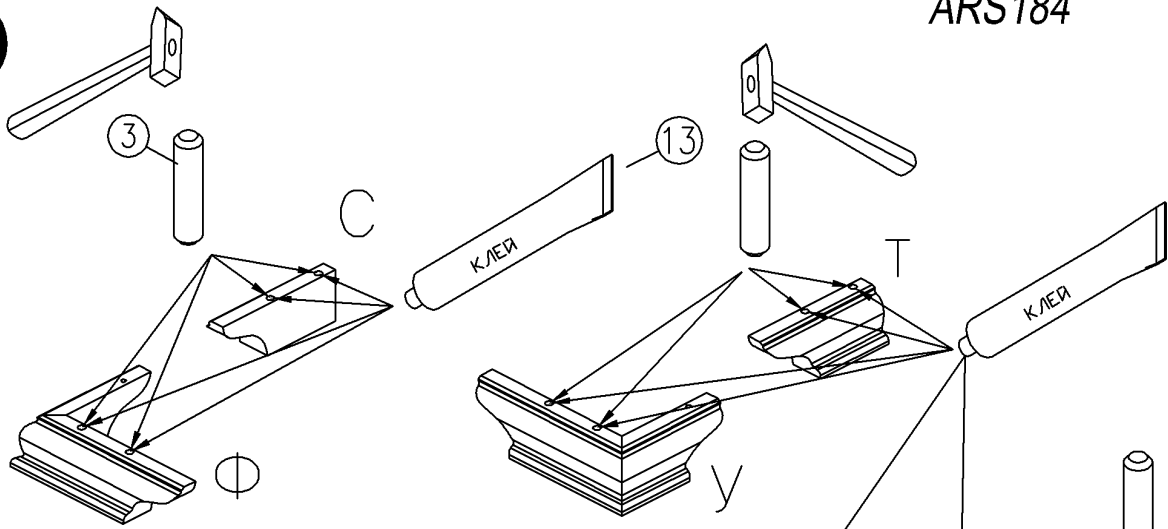
1



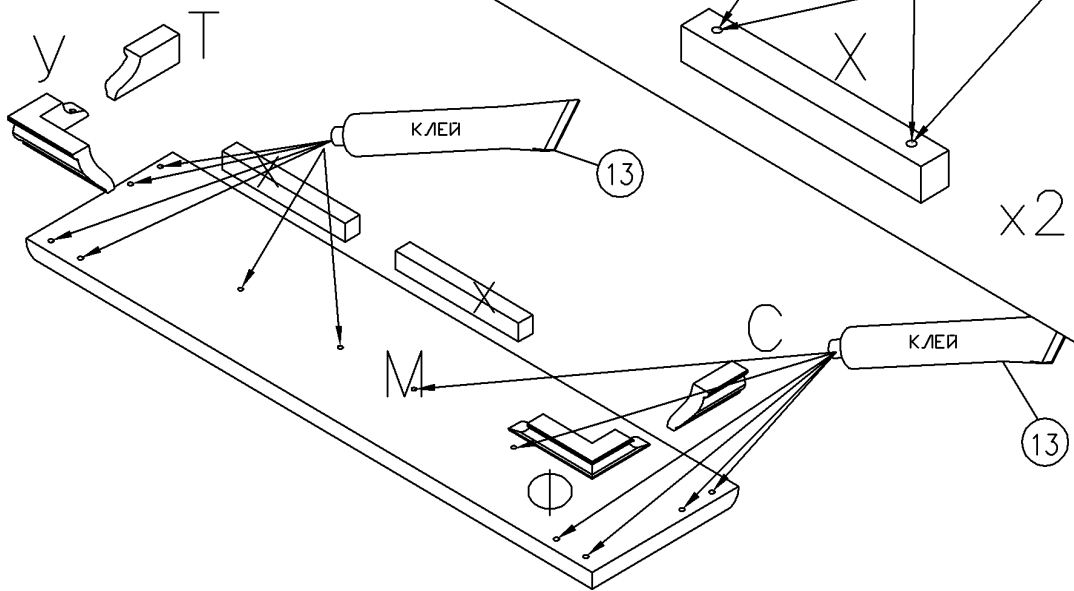
2



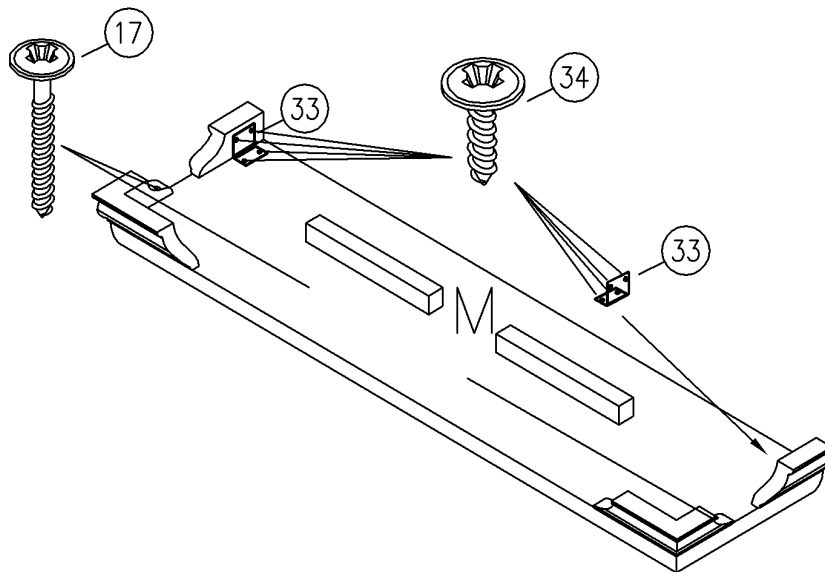
3



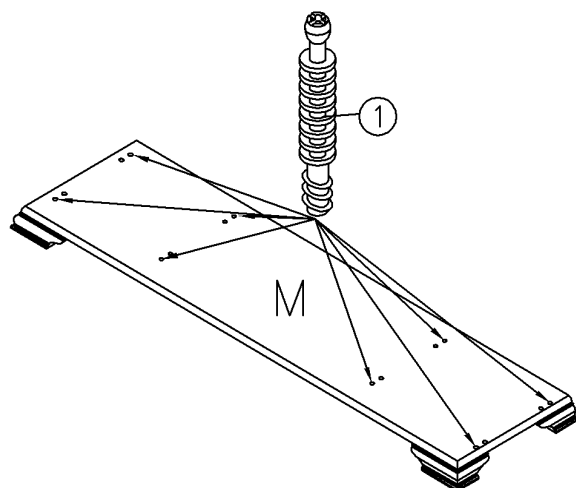
4



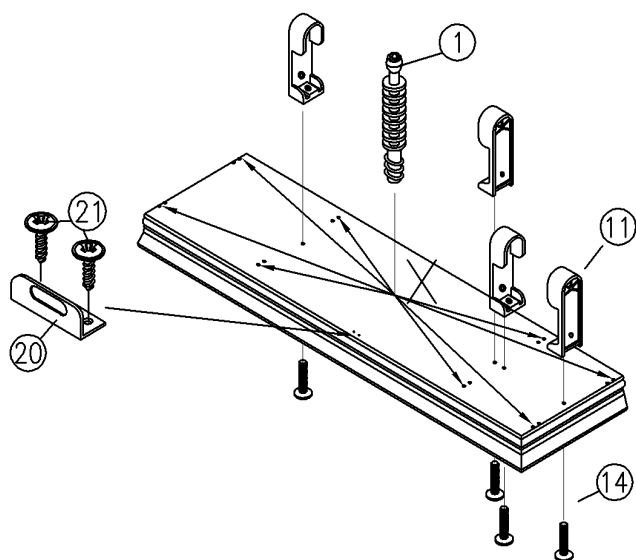
5



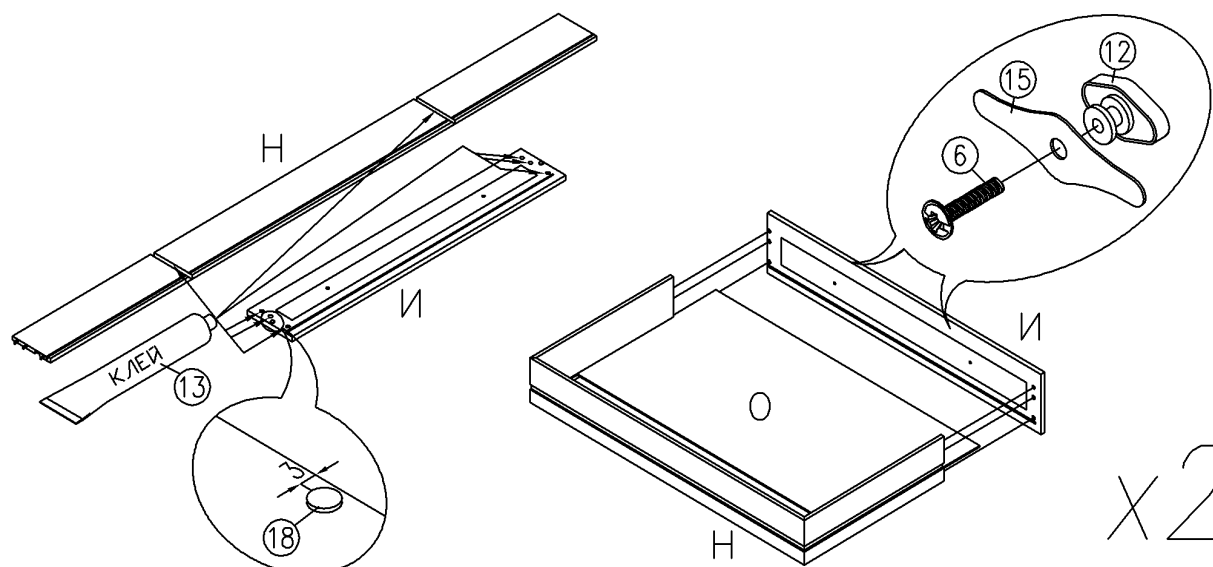
6



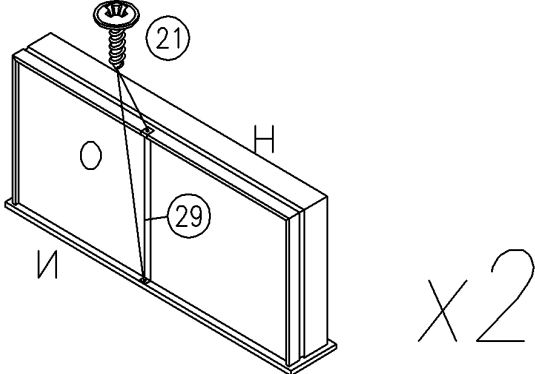
7



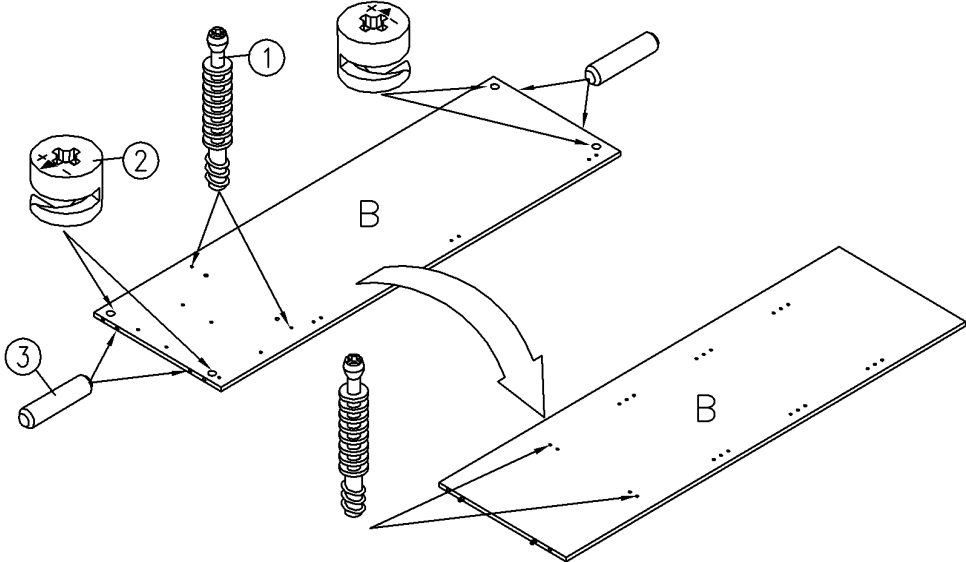
8



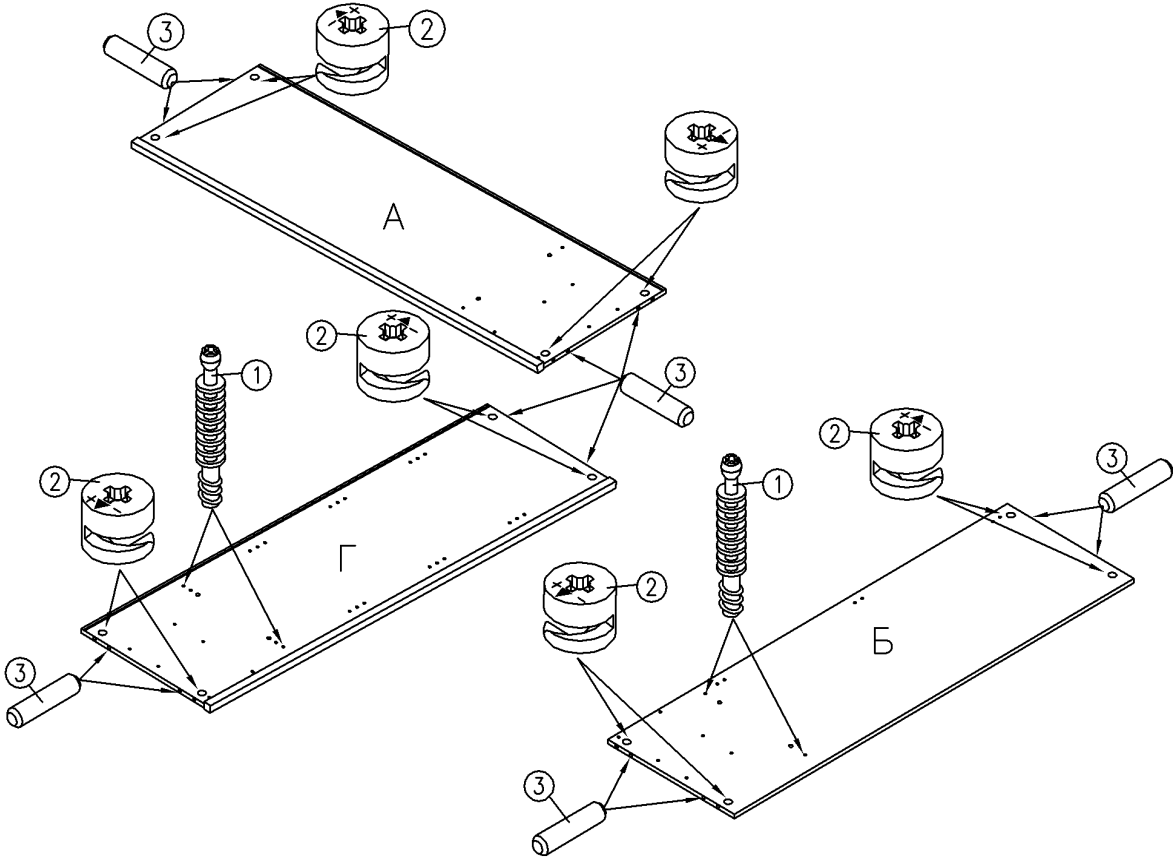
9



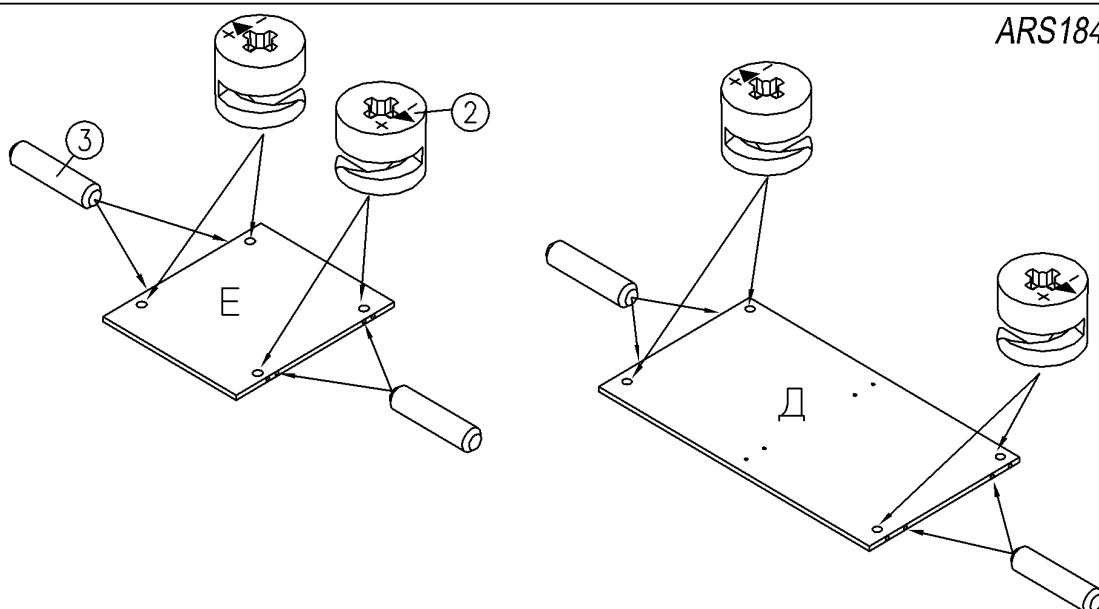
10



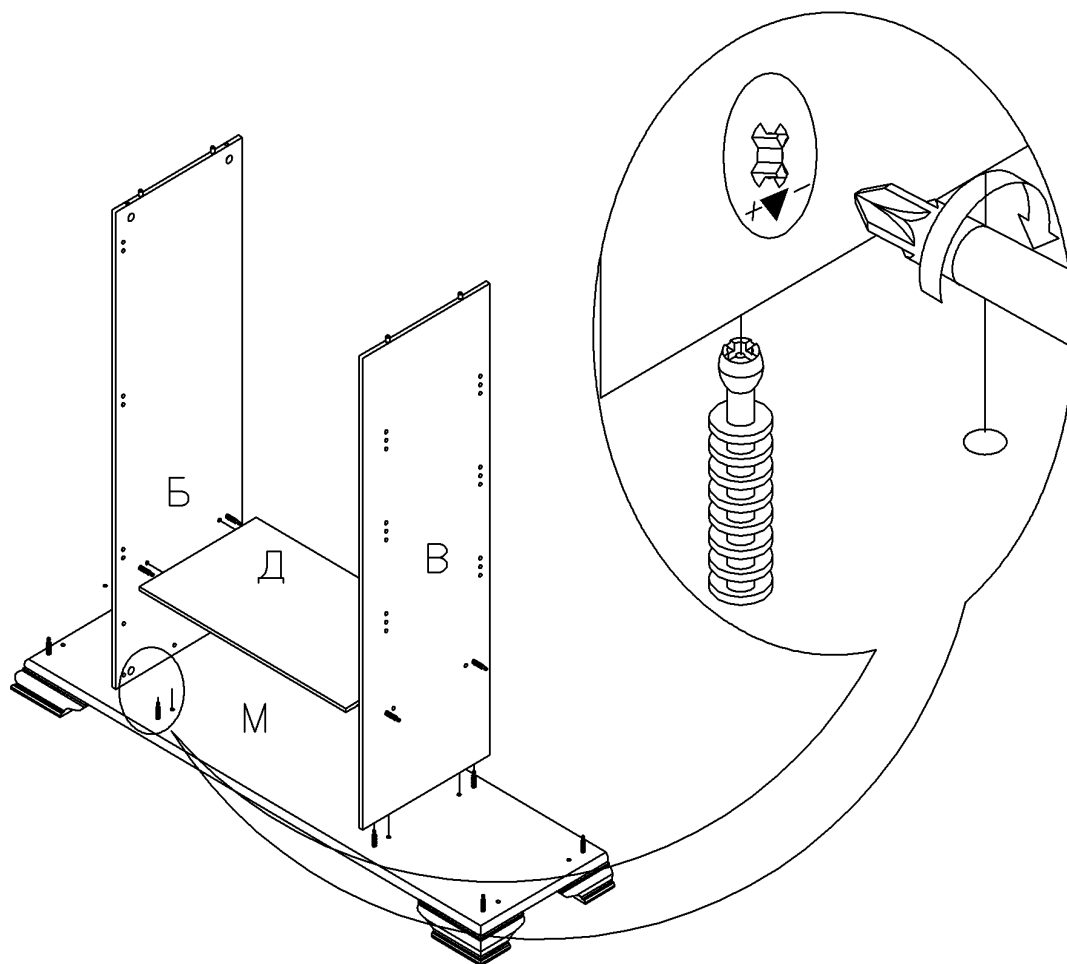
11



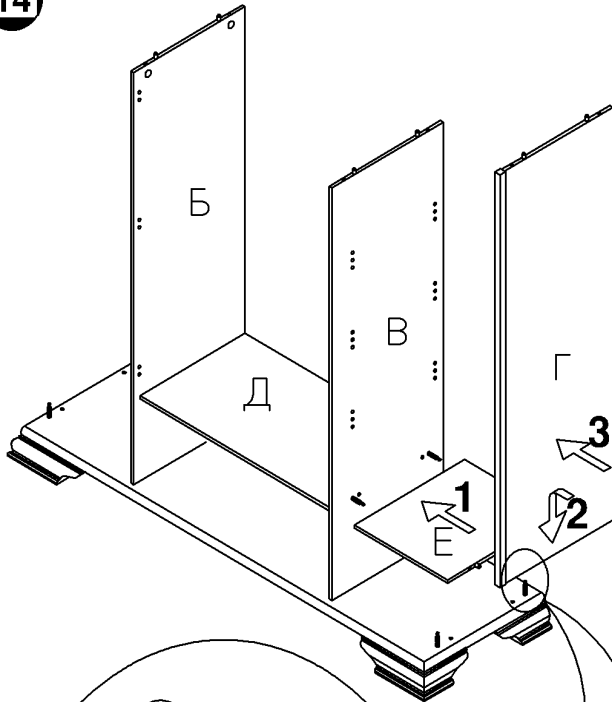
12



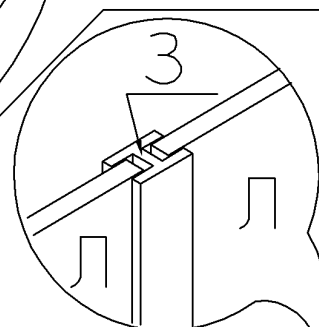
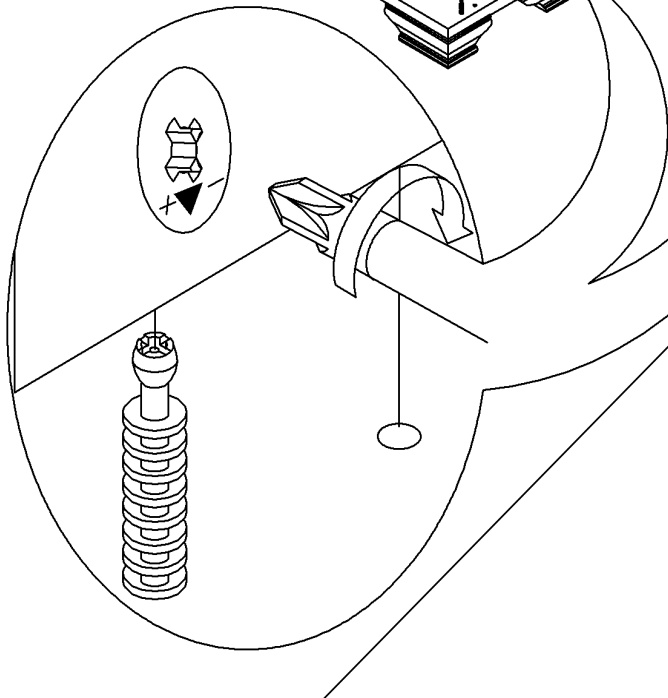
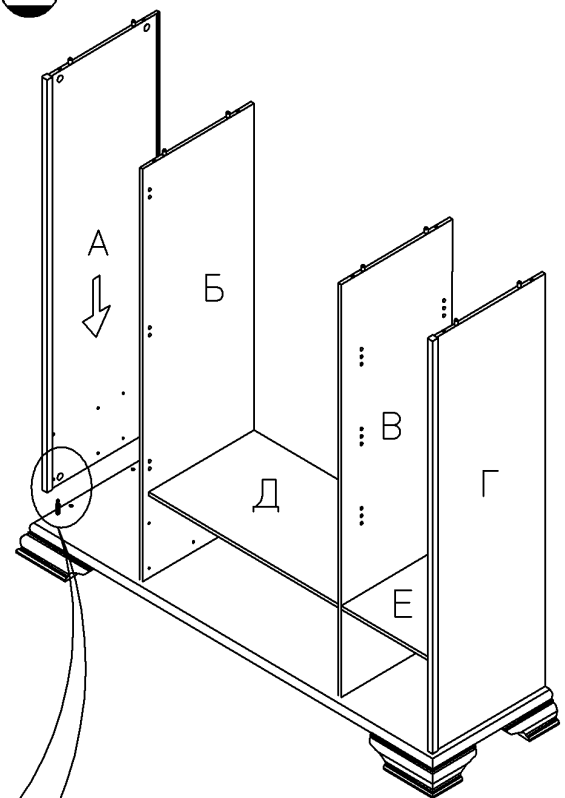
13



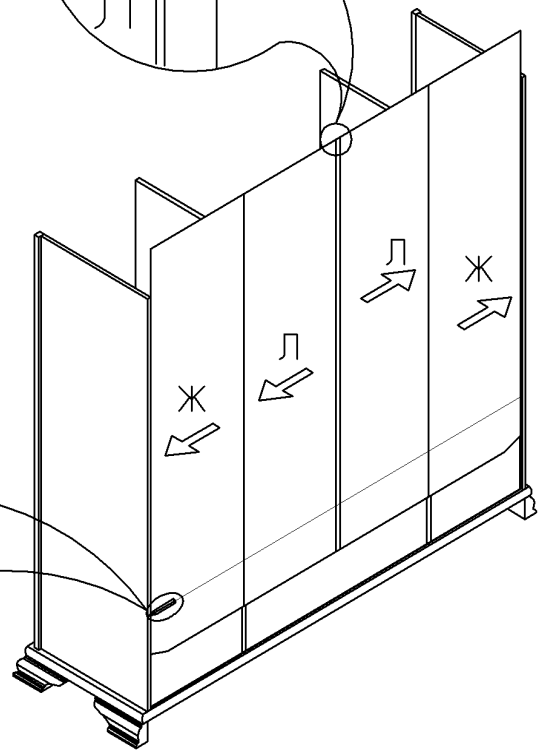
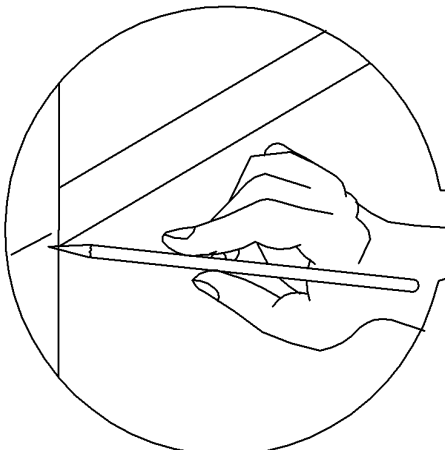
14



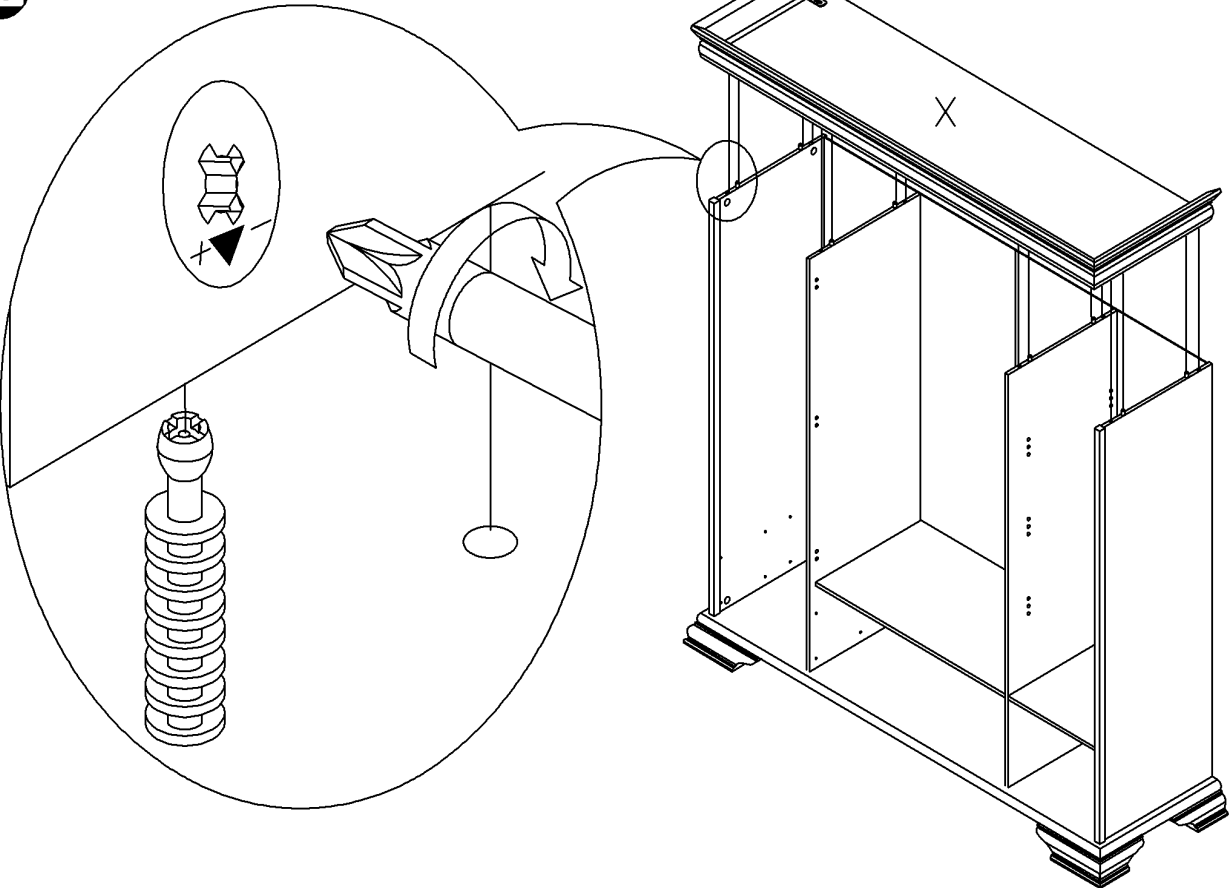
15



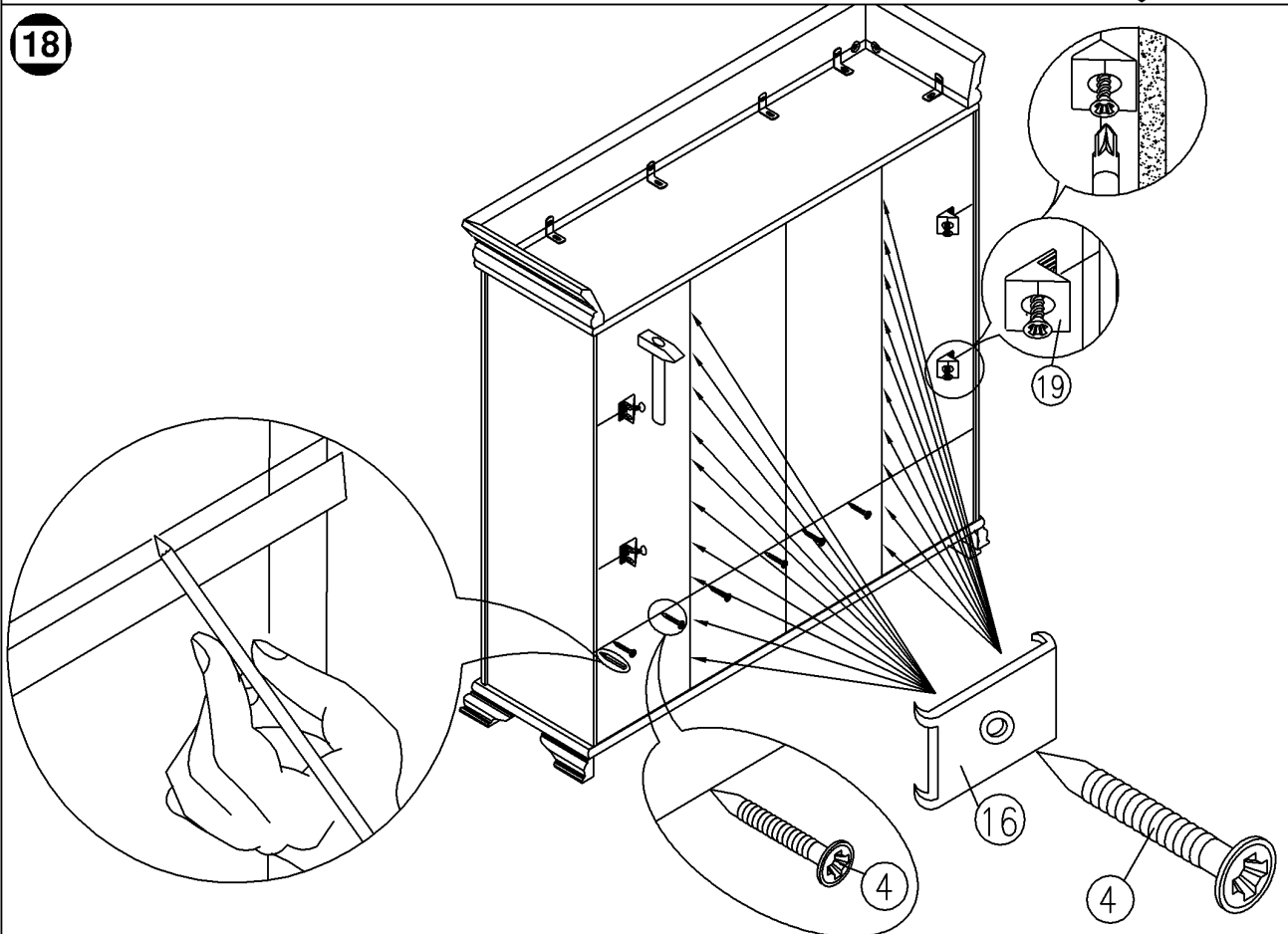
16



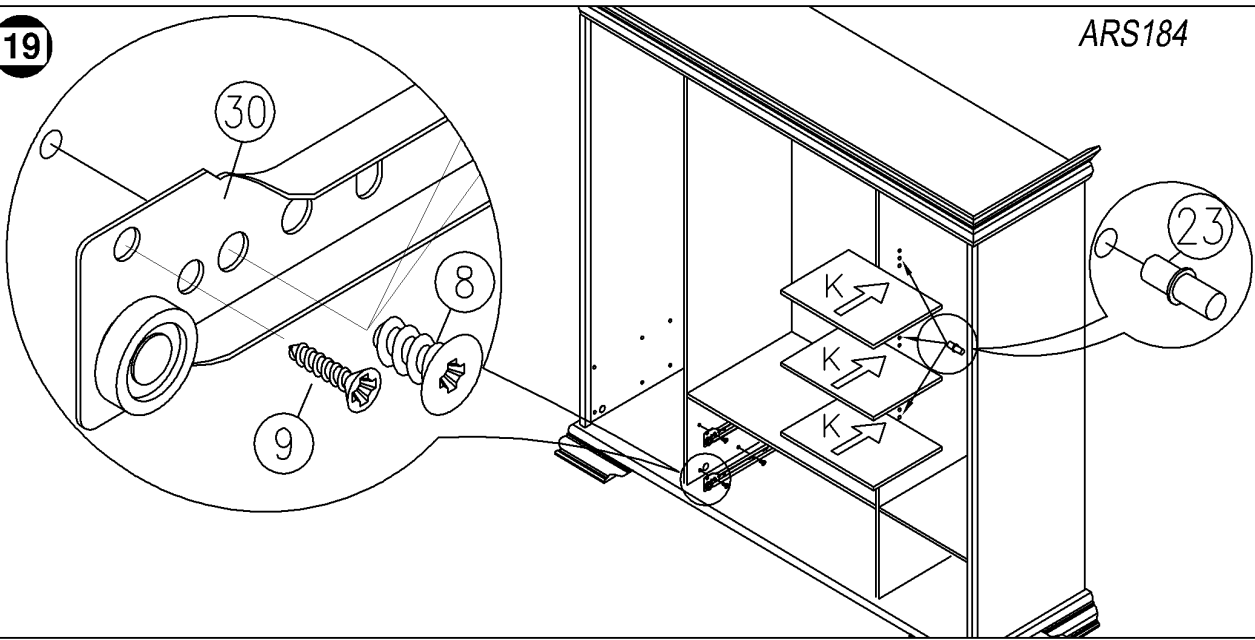
17



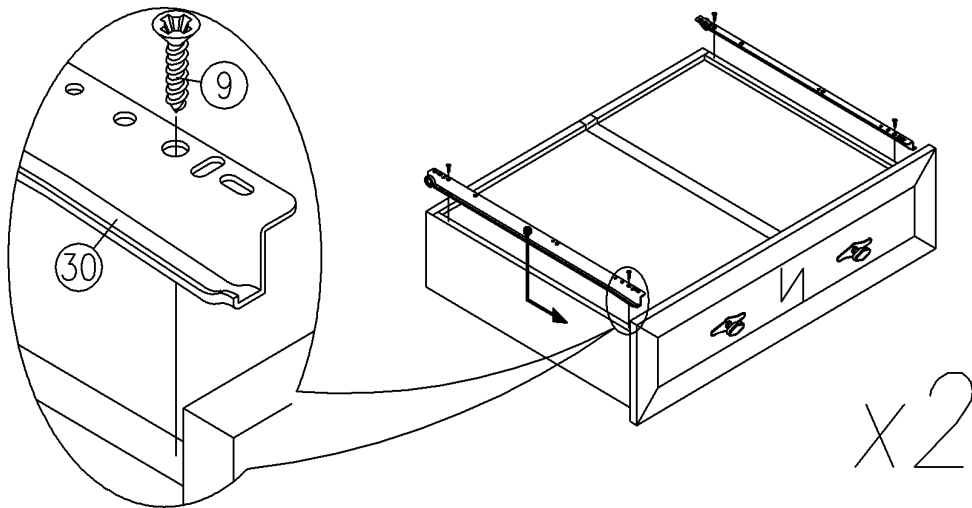
18



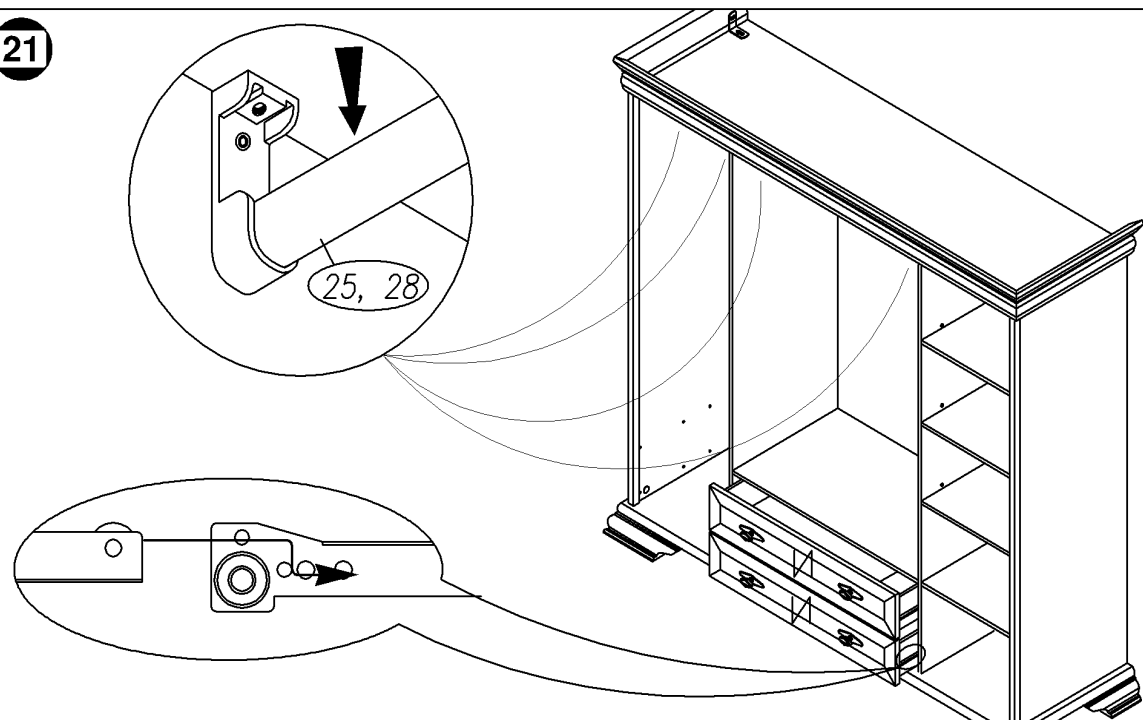
19



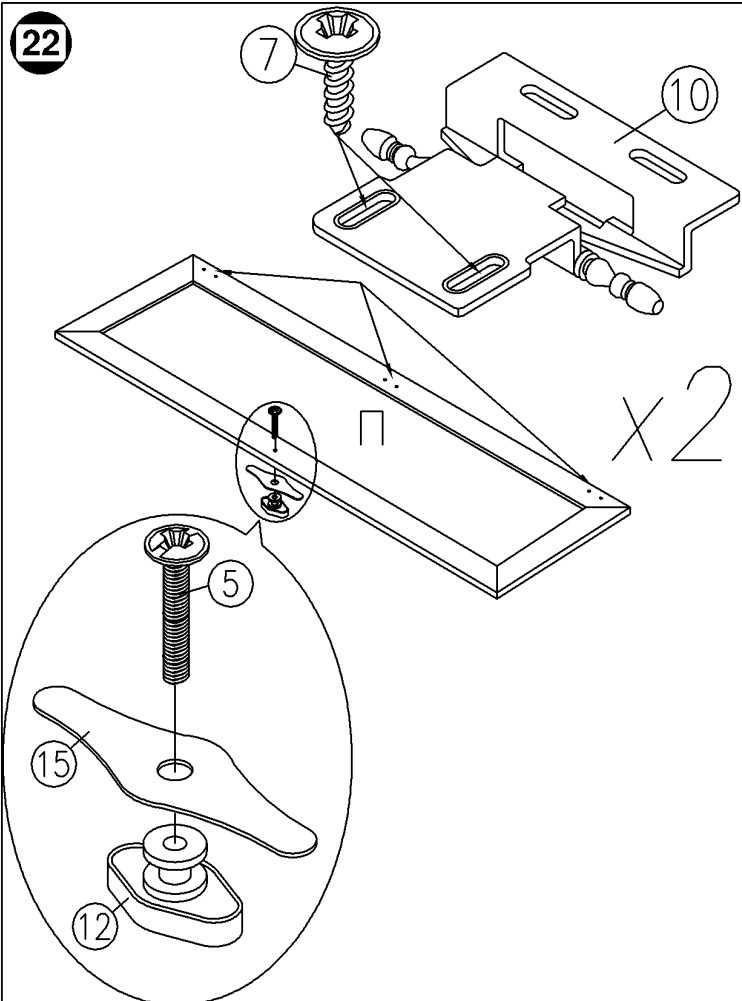
20



21

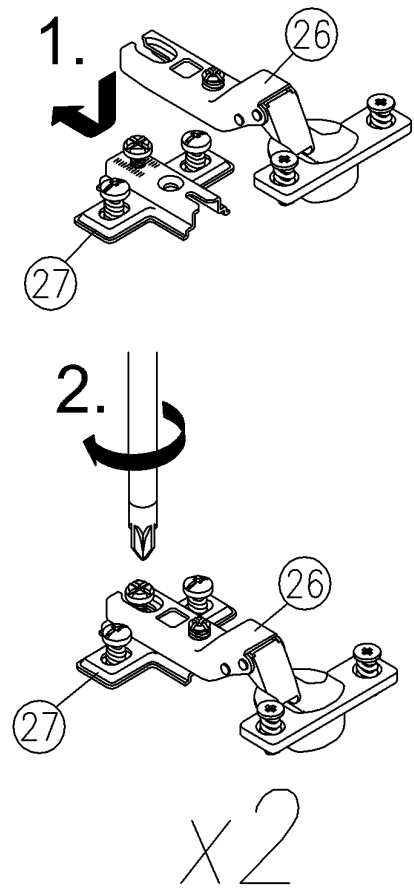


22

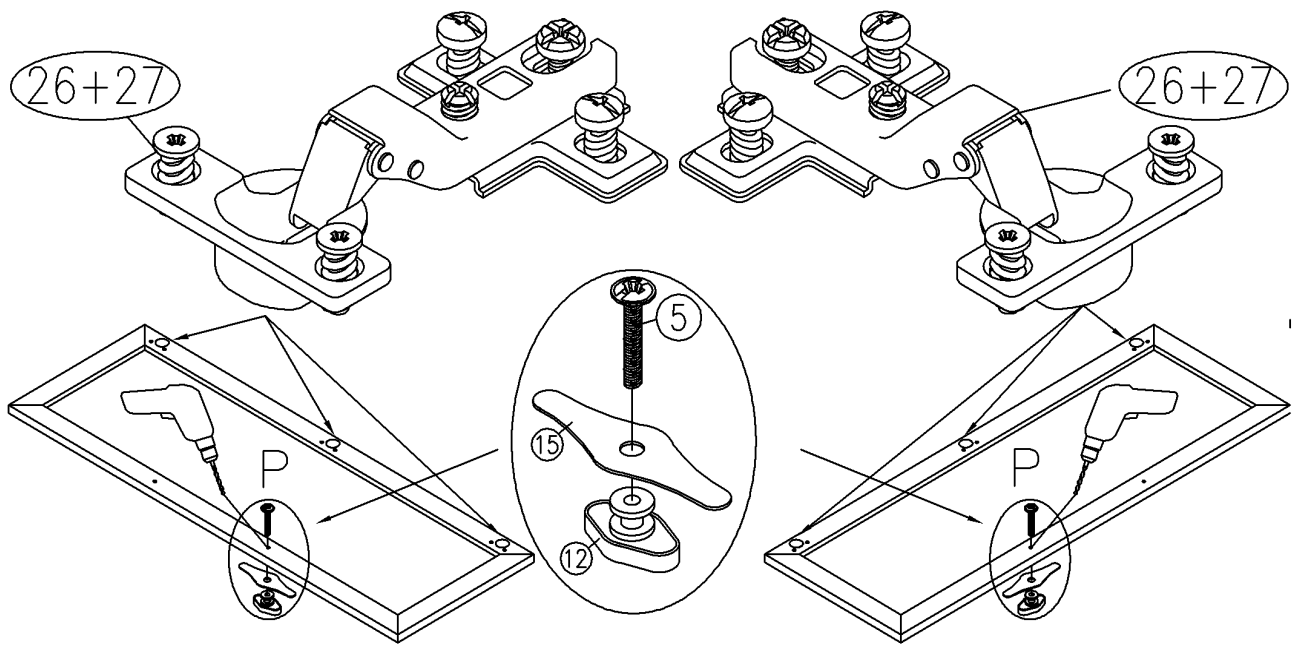


23

ARS184

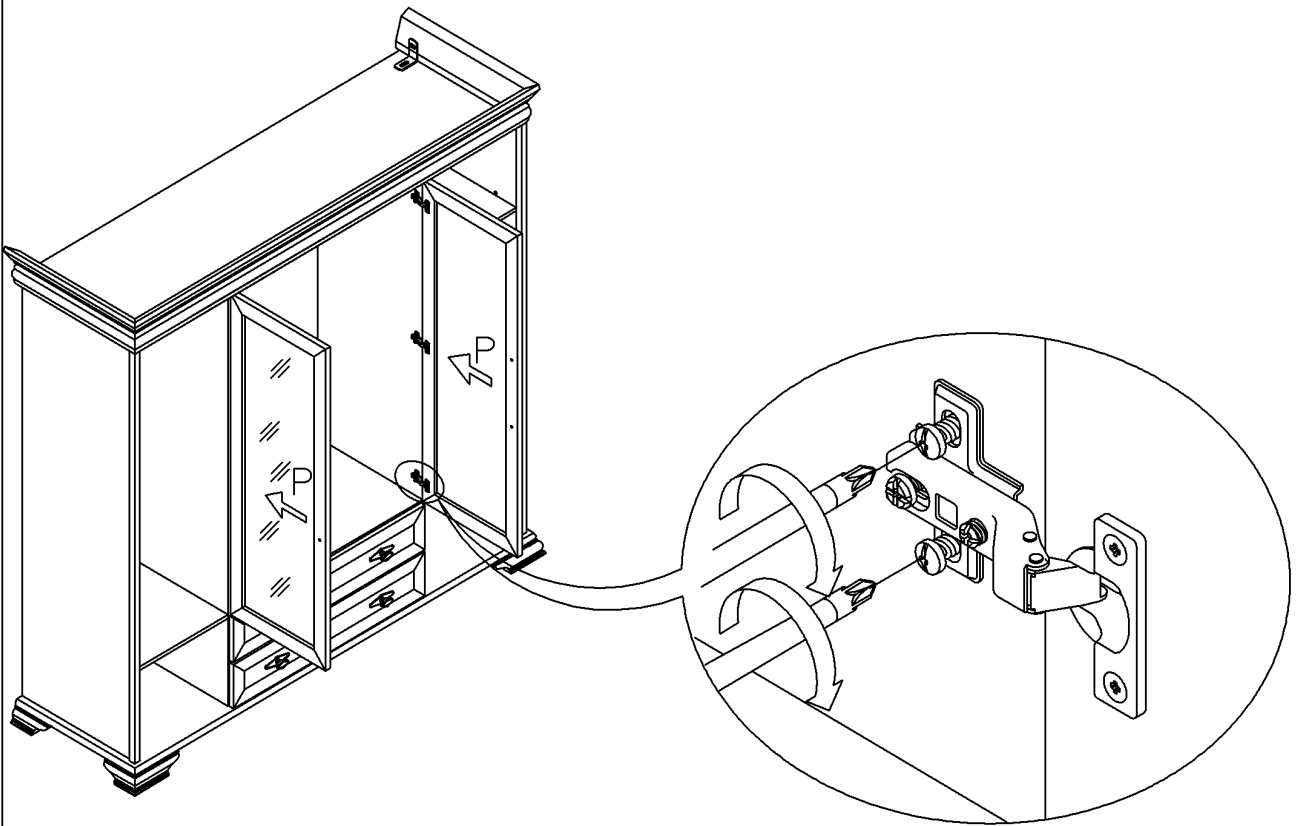


24



25

ARS184



26

